



PDU MOUNTING SOLUTIONS

SECURELY POSITION RACK-MOUNTED POWER DISTRIBUTION UNITS

Server Technology PDU Mounting Solutions ease the installation and securing of Server Technology rack power distribution units (PDUs) into the front, rear, and U space within racks, IT cabinets, and other configurations. Mounting solutions can be utilized vertically and horizontally to enhance a PDU's flexibility to address instrumentation challenges.

PDU Mounting Solutions are compatible with Server Technology PRO2, PRO3X, and PRO4X Rack PDU models. Use the kit's fit description provided to help you choose a suitable and secure mounting option based on the width of your PDU model.

Options include:

- Mounting buttons that allow for toolless installation of PDUs.
- L or angle brackets connect two parts and offer more consistent straight corners to support both vertical and horizontal mounting positions.
- Vertical brackets molded into flat and U-shaped forms support various vertical mounting positions.
- Specialized brackets designed to address unique mounting situations.

Not all part numbers are listed in this brochure. Please contact a representative for a full portfolio of options.

Features

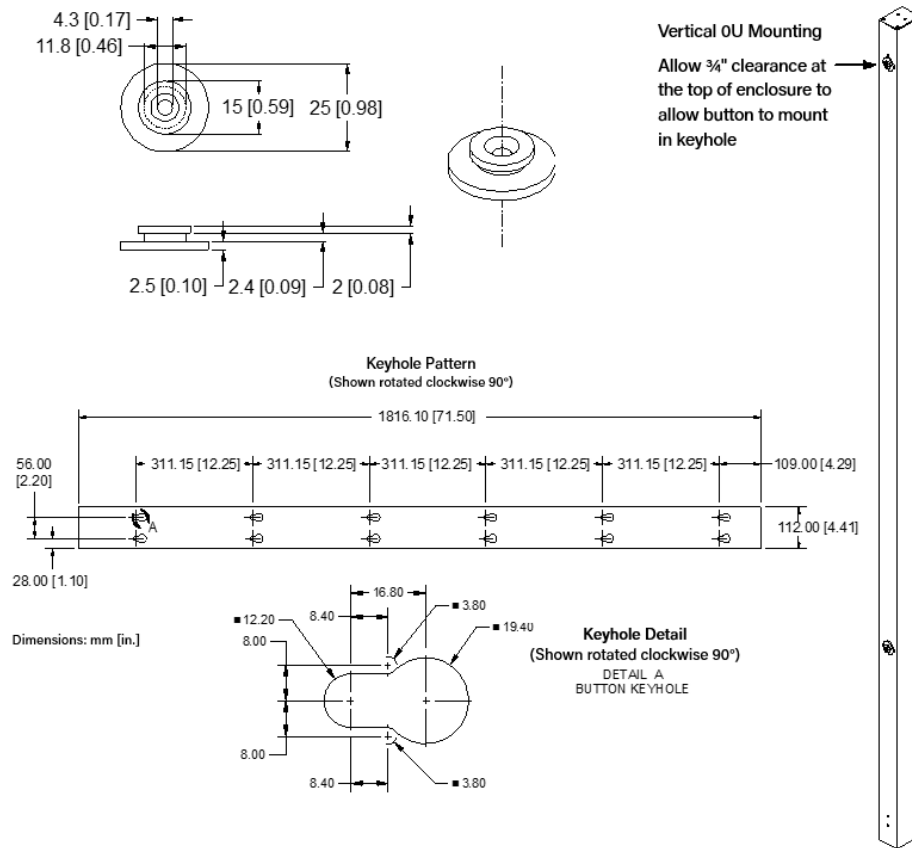
- Versatile for use in racks, IT cabinets, and other configurations.
- Options allow for vertical and horizontal mounting positions.
- Molded into various shapes to address common mounting and instrumentation challenges.
- Designed with functional holes to facilitate toolless button mounting.

VERTICAL MOUNTING SOLUTIONS

KIT-0020 and KIT-0091

| Part Number | Mount/Fit * | Description |
|-------------|------------------------------|---|
| KIT-0020 | Vertical, 0U Most 0U PDUs | Mounting button, Nylon. (One (1) kit is supplied with each vertical Server Technology Rack PDU.) |
| KIT-0091 | Vertical, 0U Most 0U PDUs | Mounting button, Aluminum. |

*PDUs wider than 45mm/1.75 in. will require two (2) kits.

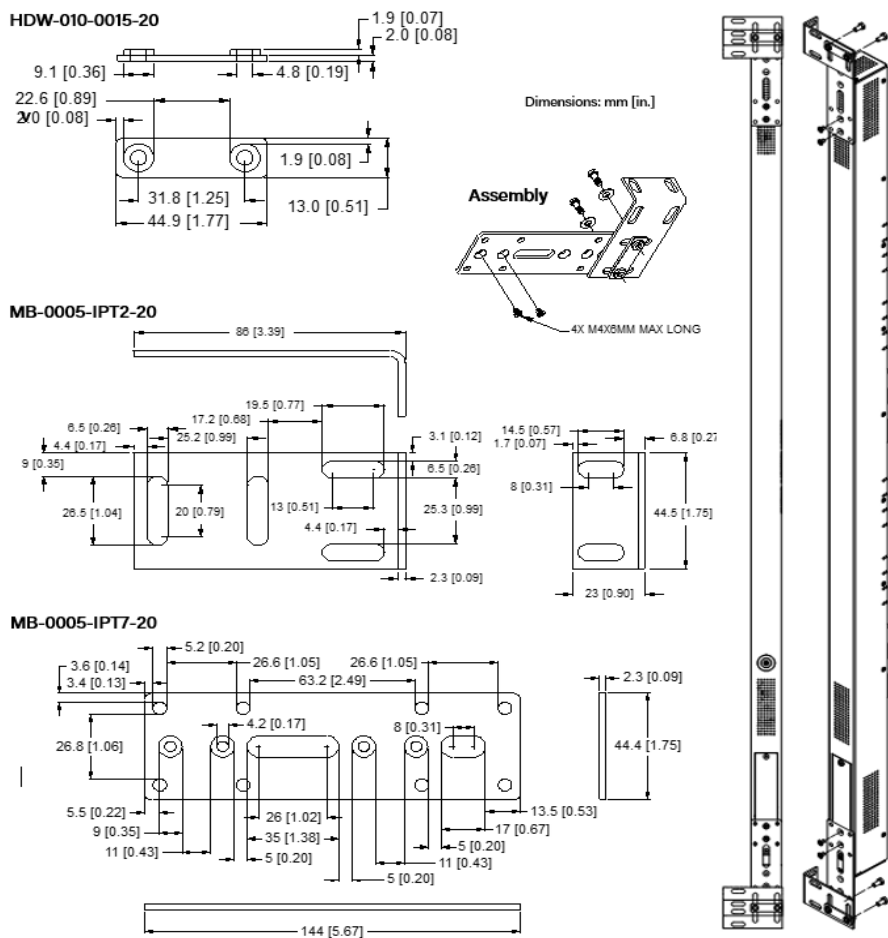


WHAT'S INCLUDED?

| Component | Description | Quantity |
|---------------------------------|---|----------|
| HDW-010-0099-00 HDW-010-0526 | Mounting button (KIT-0020: HDW-010-0099-00, KIT-0091: HDW-010-0526) | 2 |
| HDW-91801A214 | M4x10mm flathead screws | 2 |

KIT-MBVPT-1B

| Part Number | Mount/Fit | Description |
|--------------|------------------------------|---|
| KIT-MBVPT-1B | Vertical, 0U Most 0U PDUs | Mounting L bracket kit, painted Black.* |



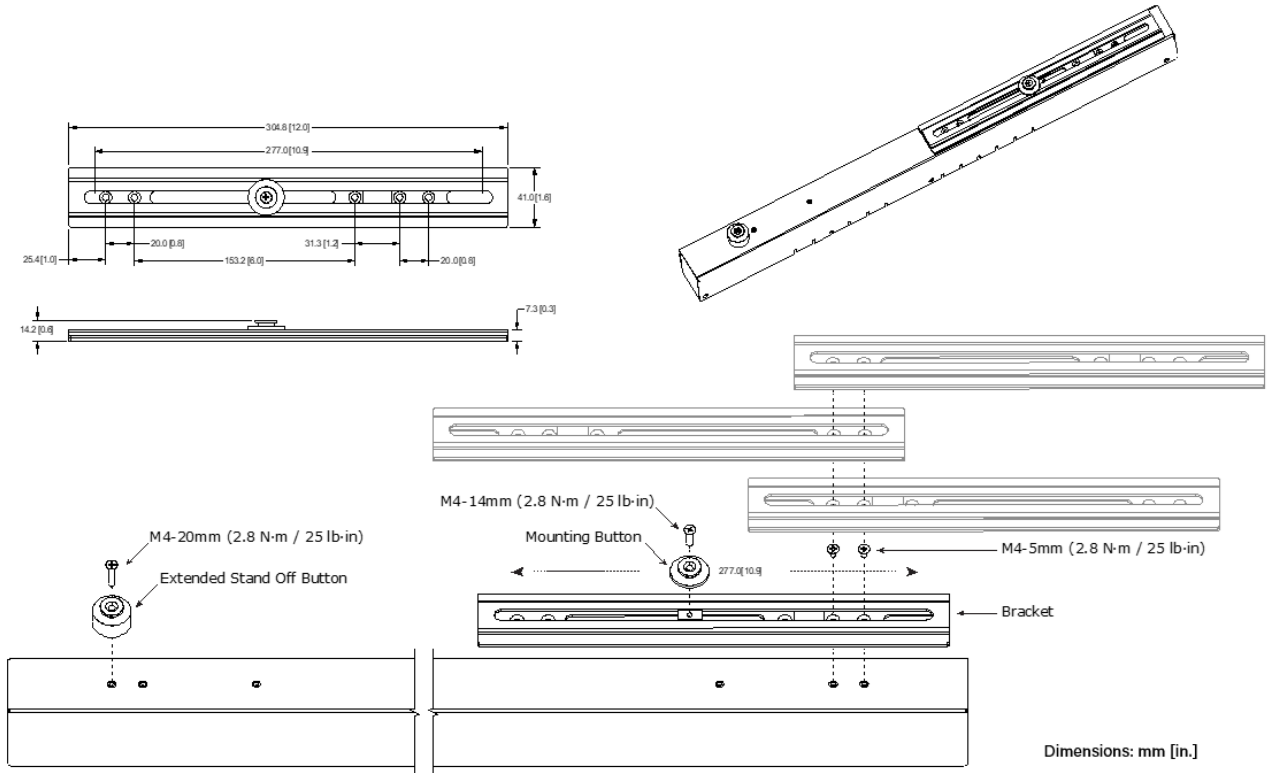
WHAT'S INCLUDED?

| Component | Description | Quantity |
|-----------------|----------------------------------|----------|
| MB-0005-IPT2-20 | L Bracket, Black | 2 |
| MB-0005-IPT7-20 | Bracket, removable flange, Black | 2 |
| HDW-010-0015-20 | M5 nut plate, Black | 2 |
| HDW-SPMFM406BB | Screw, Phillips, flat, M4x6mm | 4 |
| HDW-SPMHM510BB | Screw, Phillips, hex, M5x10mm | 4 |
| HDW-WSM5FBB-1 | Washer, flat, M5 | 4 |

*This kit includes two (2) L Brackets.

KIT-MB-99

| Part Number | Mount/Fit | Description |
|-------------|------------------------------|---|
| KIT-MB-99 | Vertical, 0U Most 0U PDUs | Adjusted button bracket with a universal slide. |

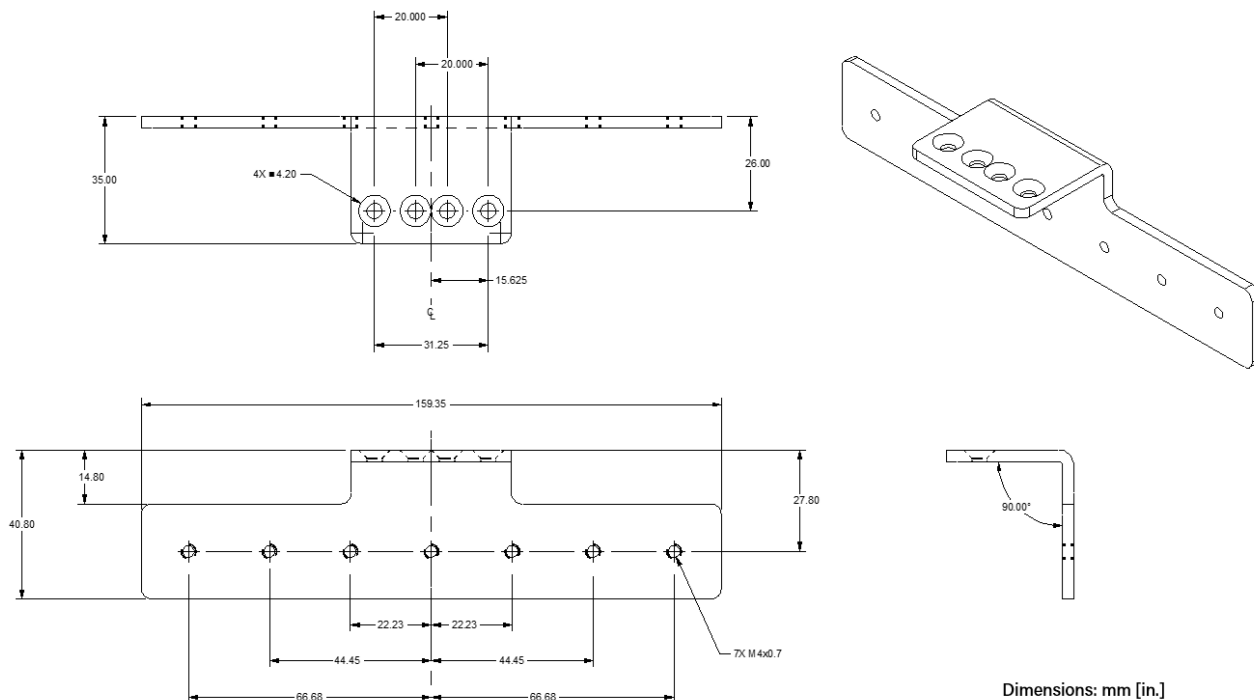


WHAT'S INCLUDED?

| Component | Description | Quantity |
|-----------------|---|----------|
| MB-0005-0195-00 | Slide bracket | 1 |
| HDW-010-0372 | Slide button | 1 |
| HDW-010-0384 | Aluminum standoff button | 1 |
| HDW-SPMFM406ZC | Screw, Phillips, Flat, M4x6mm, 90 Deg. Steel Zinc Plated | 2 |
| HDW-SPMFM414ZC | Screw, Phillips, Flat, M4x14mm, 90 Deg. Steel Zinc Plated | 1 |
| HDW-SPMFM420ZC | Screw, Phillips, Flat, M4x20mm, 90 Deg. Steel Zinc Plated | 1 |

KIT-MB-32

| Part Number | Mount/Fit | Description |
|-------------|-------------------------------------|--|
| KIT-MB-32 | Vertical, 0U Fits 44mm wide PDUs | Relocates the PDU's button mounts to the side of the PDU. When installed, check to ensure there is sufficient room in the front and the back of the PDU to insert outlet power cords. (Uses the one (1) button mount kit (KIT-0020) supplied with each vertical Server Technology Rack PDU.) |

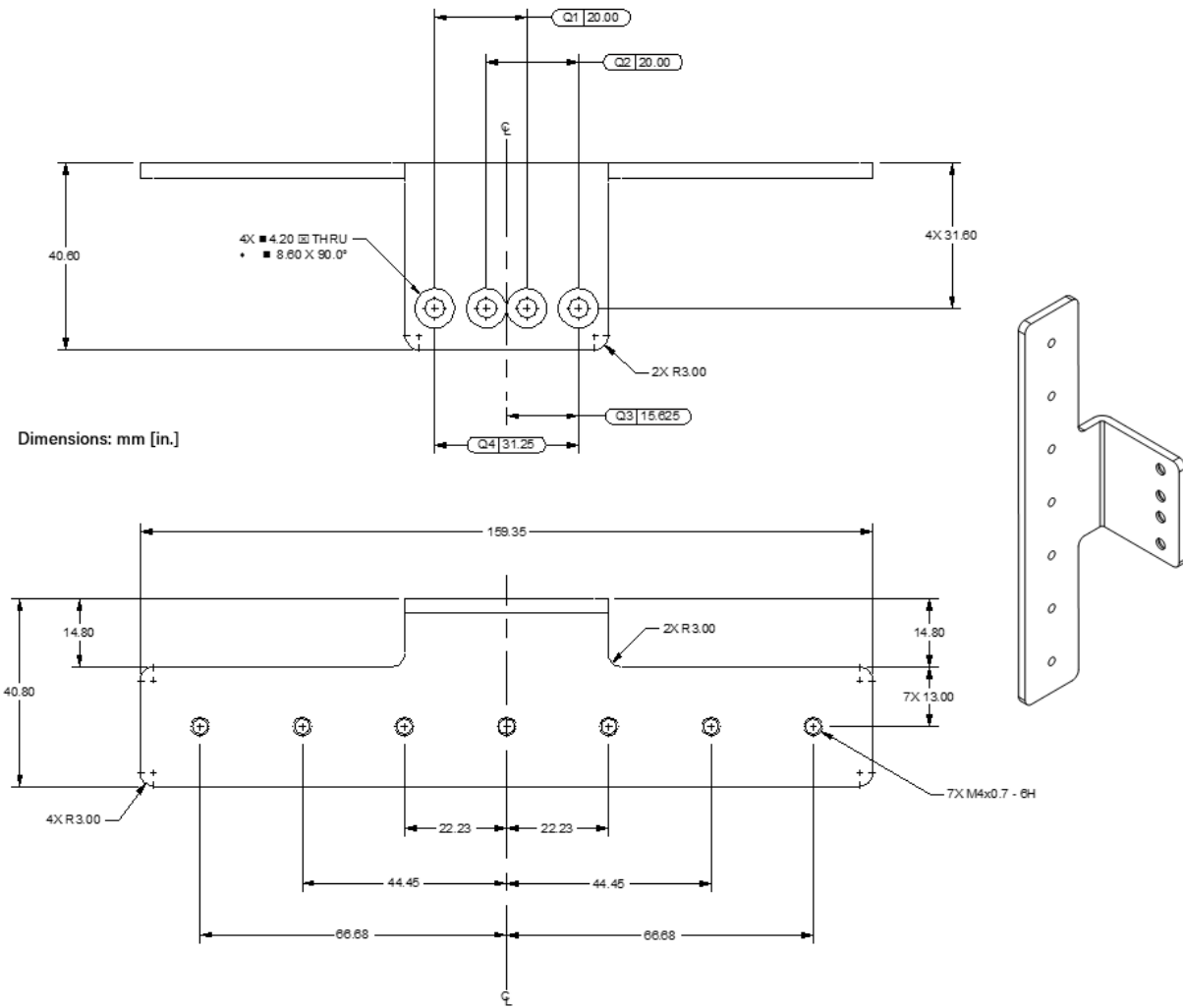


WHAT'S INCLUDED?

| Component | Description | Quantity |
|-----------------|--------------------------|----------|
| MB-0005-0135-20 | 90-degree angled bracket | 2 |
| HDW-SPMFM406BB | M4x6mm screws | 4 |

KIT-MB-40

| Part Number | Mount/Fit | Description |
|-------------|-------------------------------------|--|
| KIT-MB-40 | Vertical, 0U Fits 56mm wide PDUs | Relocates the PDU's button mounts to the side of the PDU. When installed, check to ensure there is sufficient room in the front and the back of the PDU to insert outlet power cords. (Uses the one (1) button mount kit (KIT-0020) supplied with each vertical Server Technology Rack PDU.) |

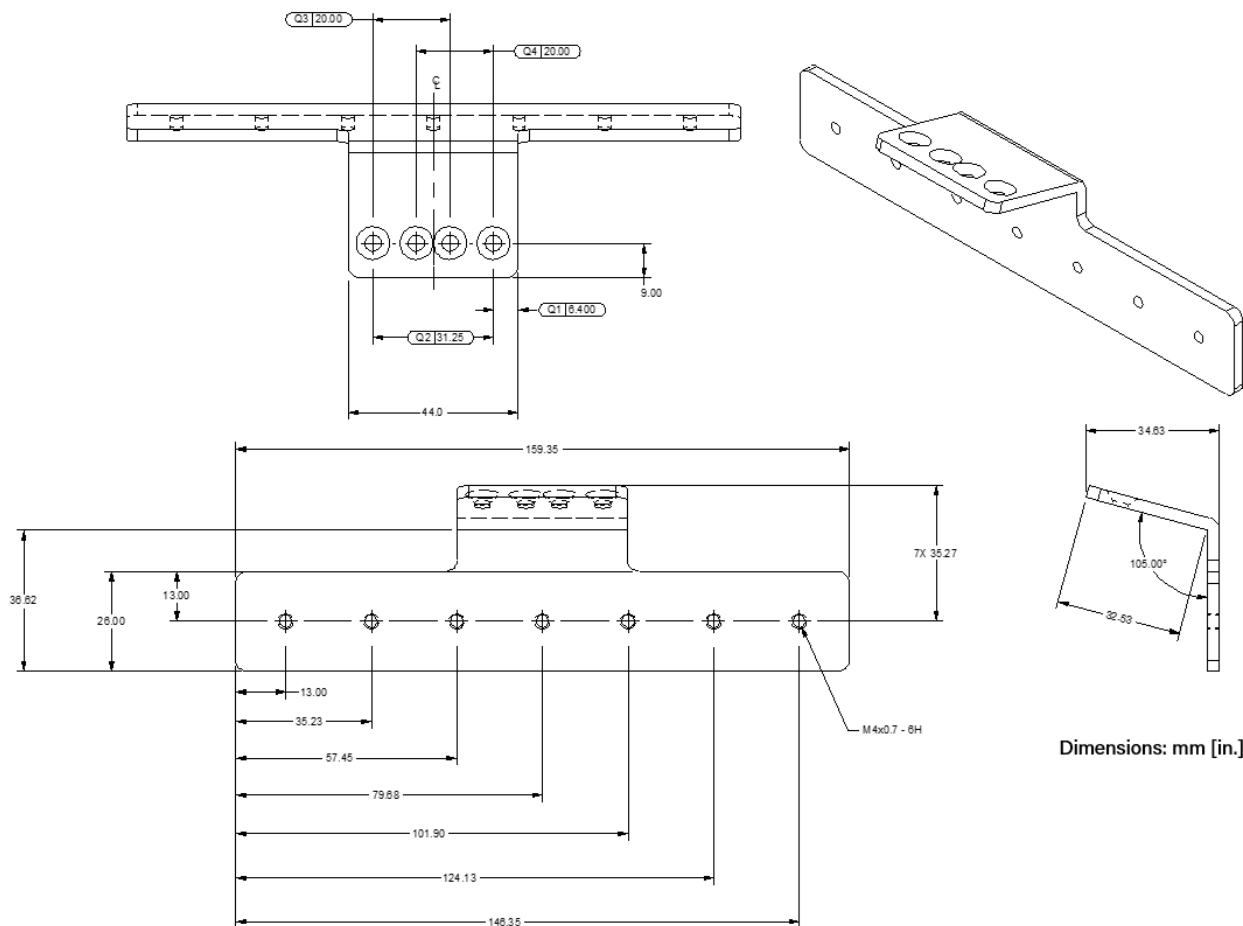


WHAT'S INCLUDED?

| Component | Description | Quantity |
|-----------------|--------------------------|----------|
| MB-0005-0380-20 | 90-degree angled bracket | 2 |
| HDW-SPMFM406BB | M4x6mm screws | 4 |

KIT-MB-33

| Part Number | Mount/Fit | Description |
|-------------|-------------------------------------|---|
| KIT-MB-33 | Vertical, 0U Fits 44mm wide PDUs | Relocates the PDU's button mount to the side of the PDU and rotates it at a 15° angle, allowing two side-by-side PDUs to have a smaller footprint. When installed, check to ensure there is sufficient room in the front and the back of the PDU to insert outlet power cords. (Uses the one (1) button mount kit (KIT-0020) supplied with each vertical Server Technology Rack PDU.) |



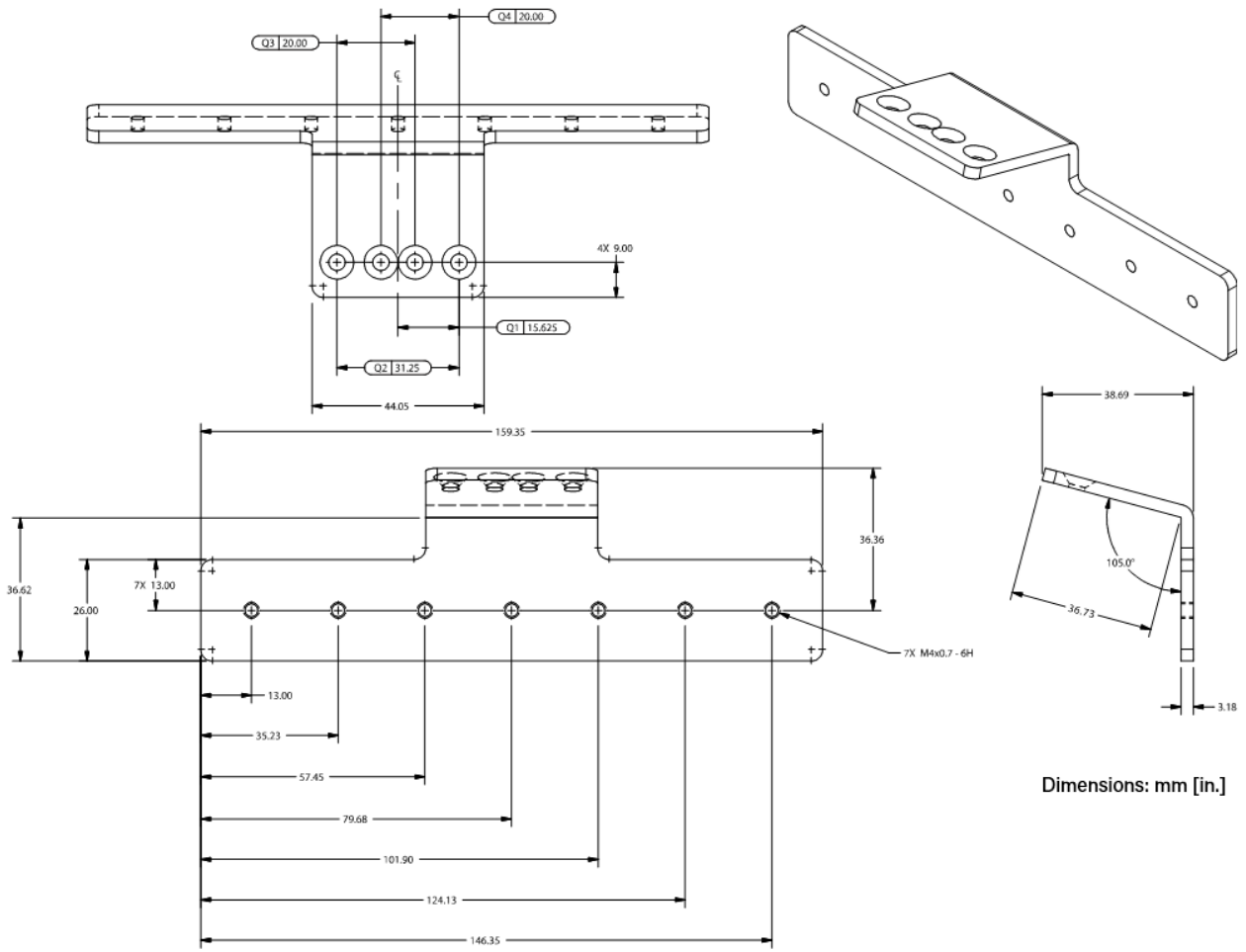
Dimensions: mm [in.]

WHAT'S INCLUDED?

| Component | Description | Quantity |
|-----------------|----------------|----------|
| MB-0005-0189-20 | Angled bracket | 2 |
| HDW-SPMFM406BB | M4x6mm screws | 4 |

KIT-MB-48

| Part Number | Mount/Fit | Description |
|-------------|-------------------------------------|--|
| KIT-MB-48 | Vertical, 0U Fits 56mm wide PDUs | Relocates button mounts to the side of the PDU and rotates it at a 15° angle, allowing two side-by-side PDUs to have a smaller footprint. When installed, check to ensure there is sufficient room in the front and the back of the PDU to insert outlet power cords. (Uses the one (1) button mount kit (KIT-0020) supplied with each vertical Server Technology Rack PDU.) |



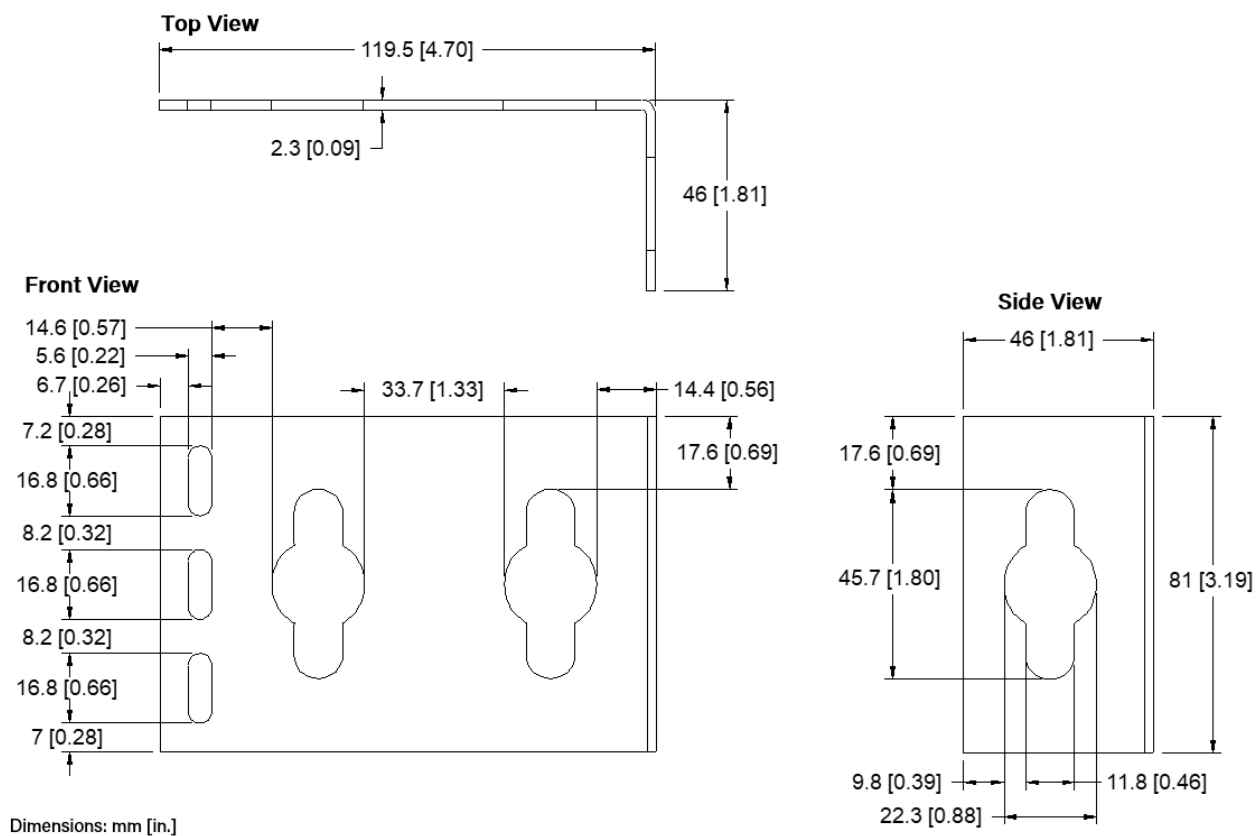
Dimensions: mm [in.]

WHAT'S INCLUDED?

| Component | Description | Quantity |
|-----------------|----------------|----------|
| MB-0005-0393-20 | Angled bracket | 2 |
| HDW-SPMFM406BB | M4x6mm screws | 4 |

KIT-MB-01

| Part Number | Mount/Fit | Description |
|-------------|-------------------------------------|---|
| KIT-MB-01 | Vertical, 0U Fits 44mm wide PDUs | Vertical mounting bracket kit for Rittal®, Dell®, HP®, and other cabinets to mount two (2) 44mm/1.75 in. wide or 57mm/2.25 in. deep PDUs side by side. (Uses the one (1) button mount kit (KIT-0020) supplied with each vertical Server Technology Rack PDU.) |

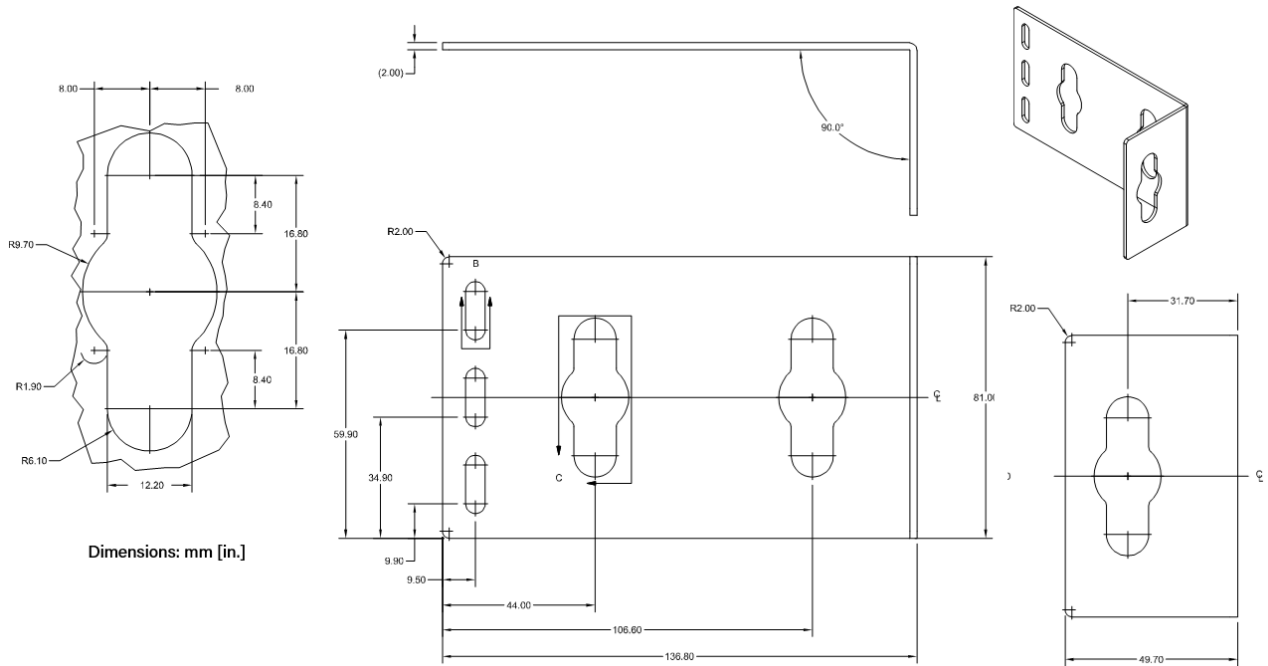


WHAT'S INCLUDED?

| Component | Description | Quantity |
|-----------------|--|----------|
| MB-0005-0036-00 | Mounting L Bracket, Clear finish | 2 |
| HDW-04M-00039 | Screw, Phillips, pan, M5.5x13mm, zinc plate, steel, self-tapping | 6 |

KIT-MB1U-7

| Part Number | Mount/Fit | Description |
|-------------|--|---|
| KIT-MB1U-7 | Vertical, 0U Fits 44mm and 56mm wide PDUs | Mounting bracket for use with Rittal TS8, TS IT, and HP cabinets. |

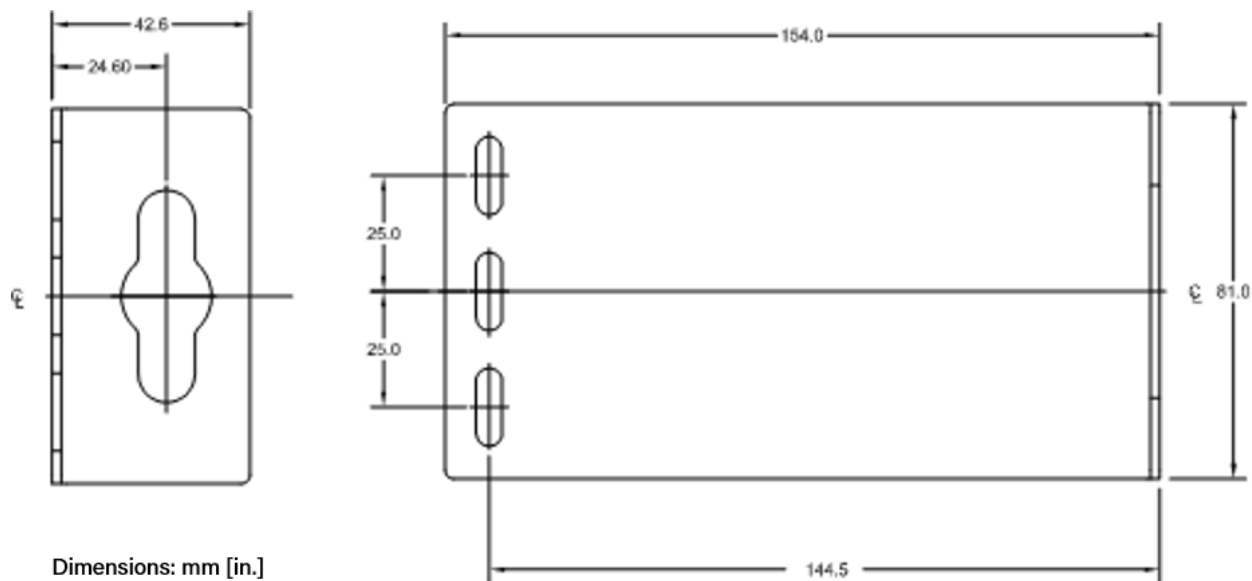


WHAT'S INCLUDED?

| Component | Description | Quantity |
|-----------------|--|----------|
| MB-0005-0212-20 | Mounting L Bracket, clear finish | 2 |
| HDW-04M-00039 | Screw, Phillips, pan, M5.5x13mm, zinc plate, steel, self-tapping | 6 |

KIT-MB-12

| Part Number | Mount/Fit | Description |
|-------------|-------------------------------------|--|
| KIT-MB-12 | Vertical, 0U Fits 44mm wide PDUs | Mounting L Bracket kit for 44 mm/1.75 in. wide vertical (89mm/3.50 in. deep) PDUs in Rittal TS8 and HP cabinets. One kit per PDU. Maximum of one PDU on the left and a second one on the right, with the outlets facing the rear of the cabinet. Requires Rittal TS8 that is deep enough to allow a 178mm/7 in. rail setback. (Uses the one (1) button mount kit (KIT-0020) supplied with each vertical Server Technology Rack PDU.) |

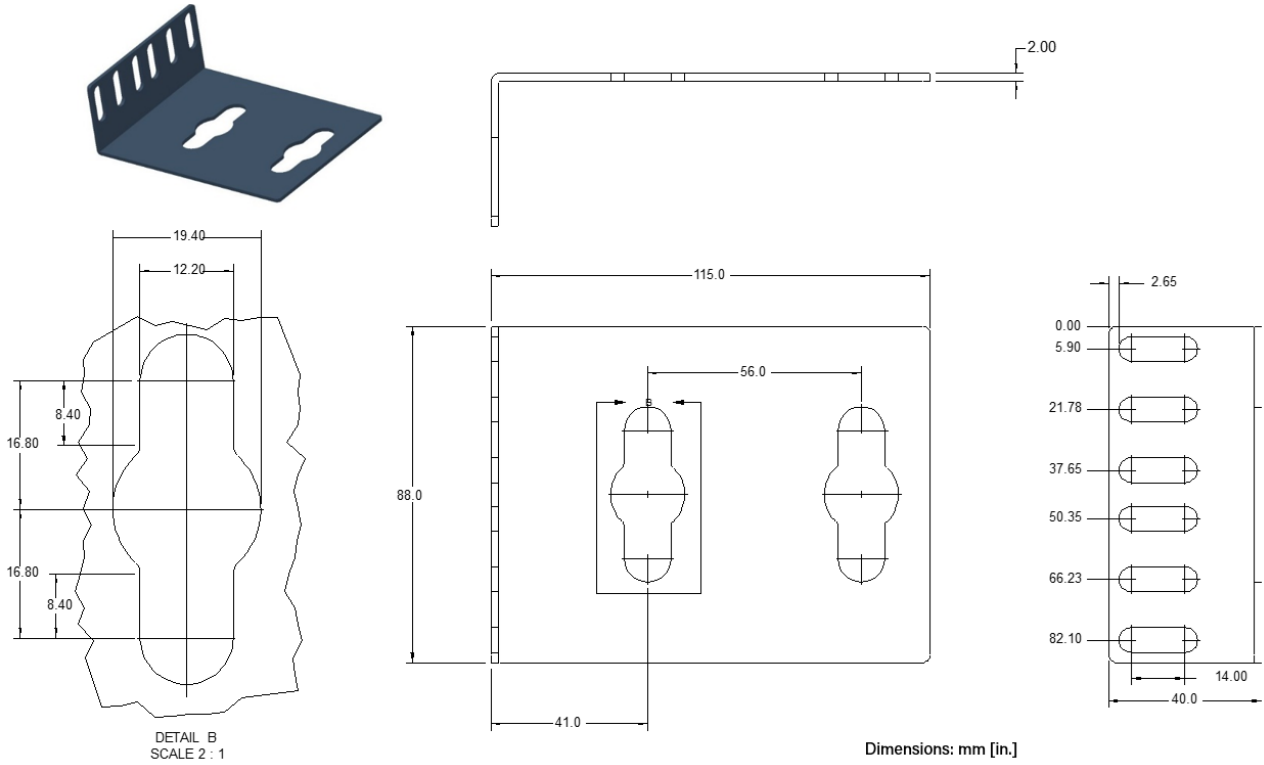


WHAT'S INCLUDED?

| Component | Description | Quantity |
|-----------------|--|----------|
| MB-0005-0155-20 | Mounting L Bracket | 2 |
| HDW-04M-00039 | Screw, Phillips, pan, M5.5x13mm, zinc plate, steel, self-tapping | 6 |

MB-0005-0066-20

| Part Number | Mount/Fit | Description |
|-----------------|------------------------------|--|
| MB-0005-0066-20 | Vertical, 0U Most 0U PDUs | L Bracket for use with 44mm/1.75 in., 56mm/2.20 in., 82.6mm/3.25 in., and 89mm/3.50 in. width PDUs. Two (2) brackets are needed per PDU. |



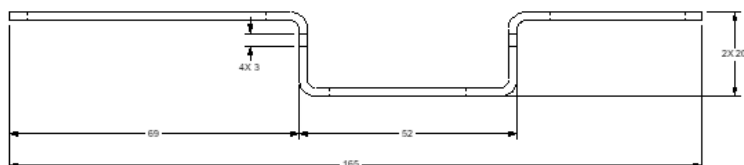
WHAT'S INCLUDED?

| Component | Description | Quantity |
|-----------------|-------------|----------|
| MB-0005-0066-20 | L Bracket | 1 |

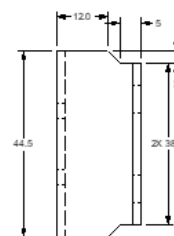
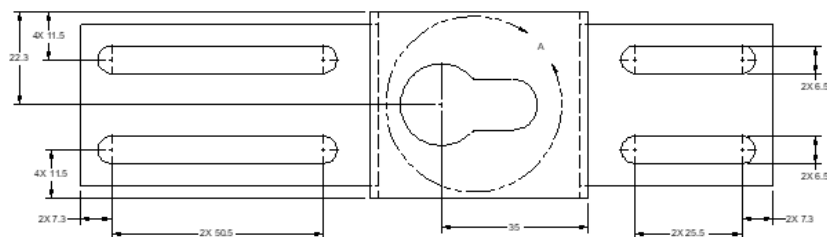
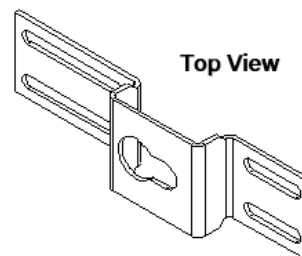
KIT-MB-02

| Part Number | Mount/Fit | Description |
|-------------|-------------------------------------|---|
| KIT-MB-02 | Vertical, 0U Fits 44mm wide PDUs | Bracket kit for button-mounting single-input feed/single-wide (44mm/1.75 in. wide) PDUs in dead space between Rittal TS8, HP, and other cabinets. Also used for mounting in the back of cabinets. |

Side View

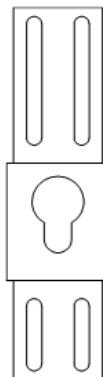


Top View



Dimensions: mm [in.]

Front View

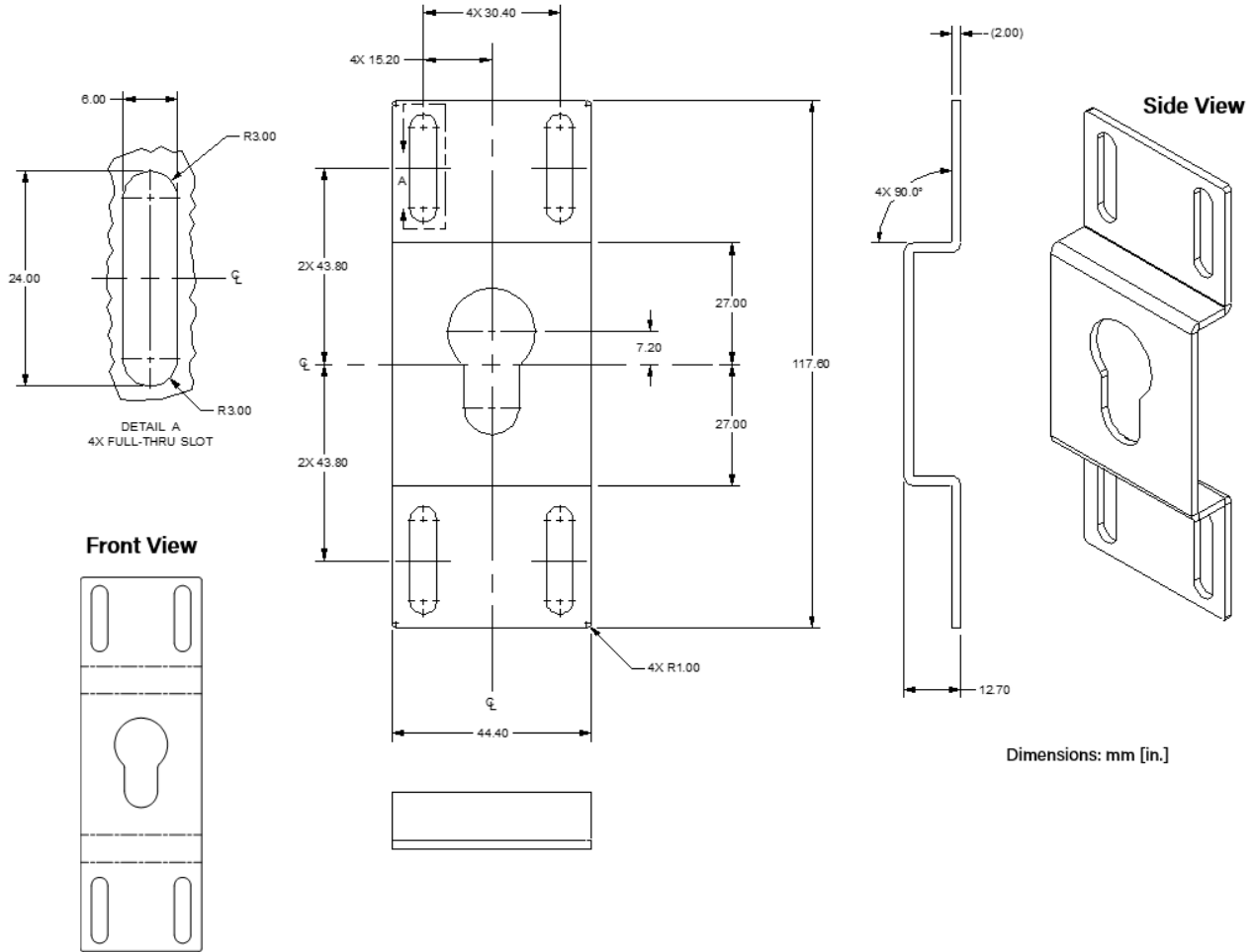


WHAT'S INCLUDED?

| Component | Description | Quantity |
|-----------------|---|----------|
| MB-0005-0027-00 | Mounting bracket, single keyhole for PDU button mount | 2 |
| HDW-04M-00039 | Screw, Phillips, pan, M5.5x13mm, zinc plate steel, self-tapping | 4 |

KIT-MB-43

| Part Number | Mount/Fit | Description |
|-------------|-------------------------------------|---|
| KIT-MB-43 | Vertical, 0U Fits 44mm wide PDUs | Bracket kit for button mounting single input feed 44mm wide PDUs in the dead space between Rittal TS IT cabinets. Also used for mounting in the back of cabinets. |

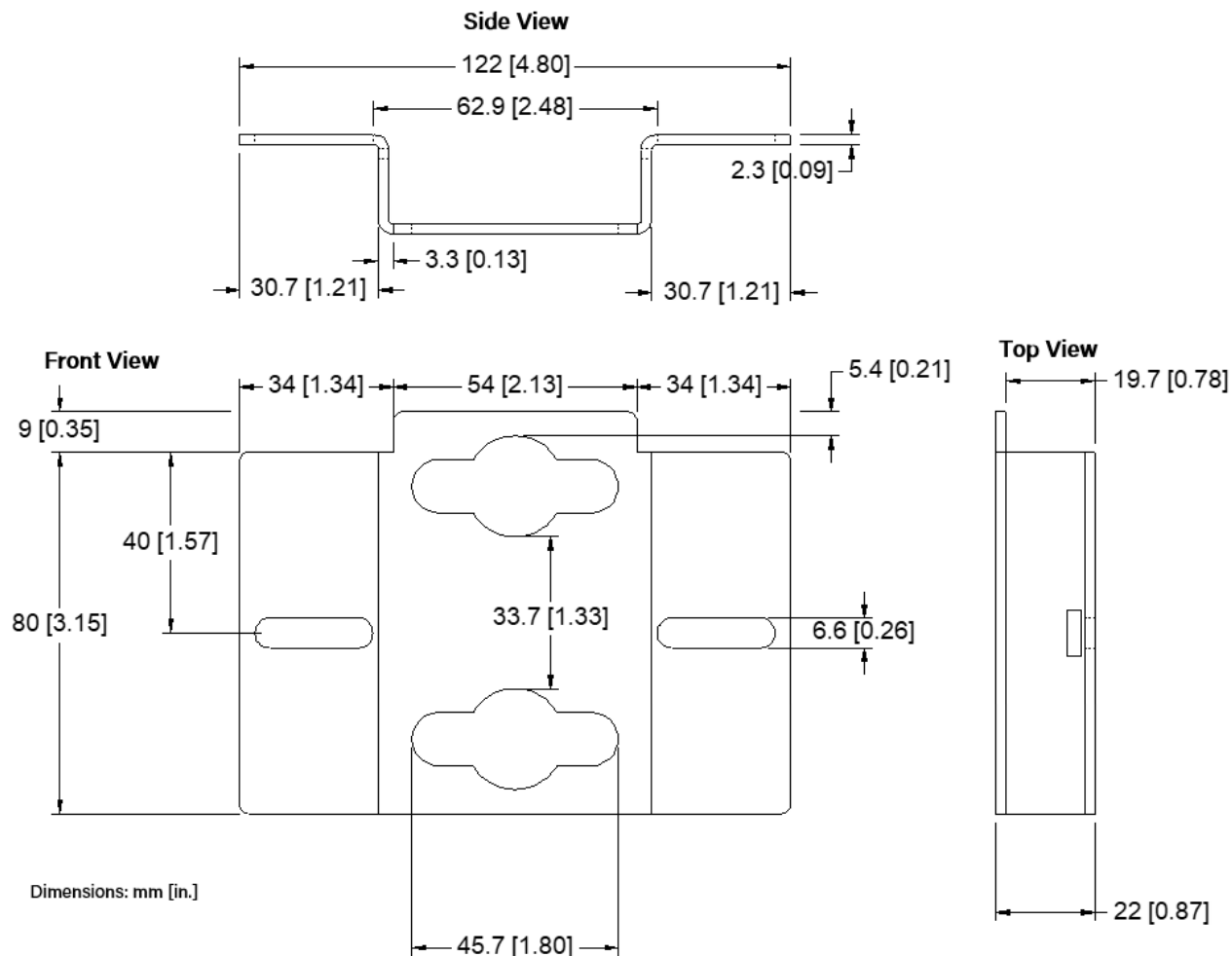


WHAT'S INCLUDED?

| Component | Description | Quantity |
|-----------------|---|----------|
| MB-0005-0382-20 | Mounting bracket, single keyhole for PDU button | 2 |
| HDW-04M-00039 | Screw, Phillips, pan, M5.5x13mm, zinc plate steel, self-tapping | 4 |

MB-0005-0040-00

| Part Number | Mount/Fit | Description |
|-----------------|-------------------------------------|---|
| MB-0005-0040-00 | Vertical, 0U Fits 44mm wide PDUs | U-shaped dual-keyhole button mounting bracket for Eaton Paramount and other cabinets. Two (2) brackets needed per PDU. |

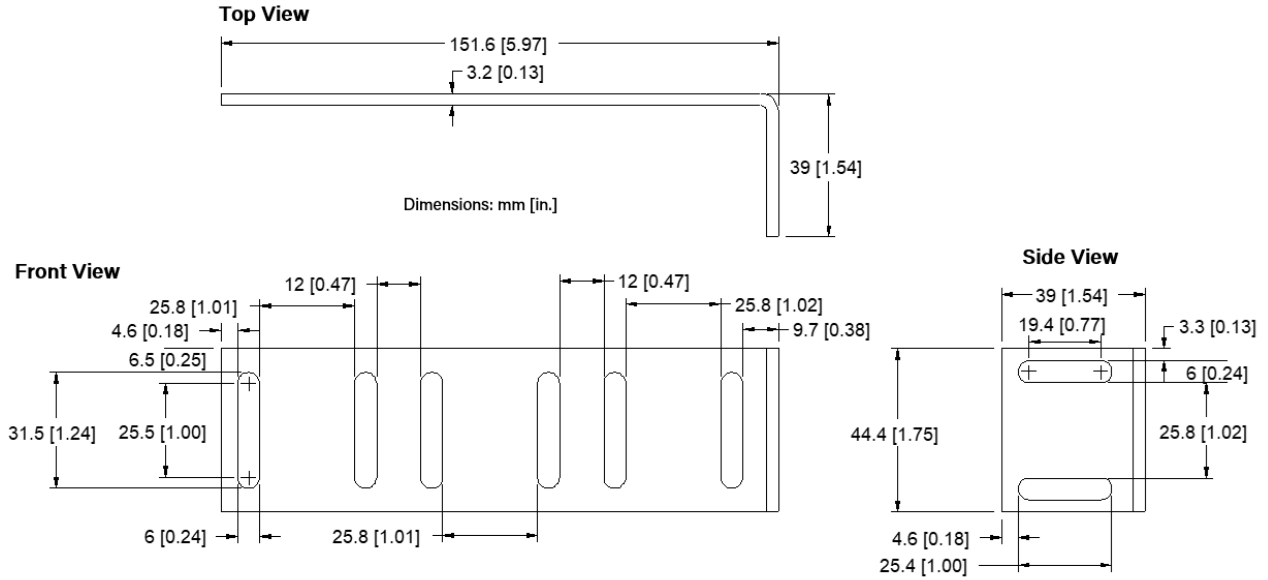


WHAT'S INCLUDED?

| Component | Description | Quantity |
|-----------------|------------------|----------|
| MB-0005-0040-00 | U-shaped bracket | 1 |

MB-0005-EQFX-10

| Part Number | Mount/Fit | Description |
|-----------------|-------------------------------------|---|
| MB-0005-EQFX-10 | Vertical, 0U Fits 44mm wide PDUs | Mounting L Bracket supports up to three (3) vertical 44mm/1.75 in. wide PDUs, Ivory (2 required per unit). Used in conjunction with KIT-MBVPT-1x. |



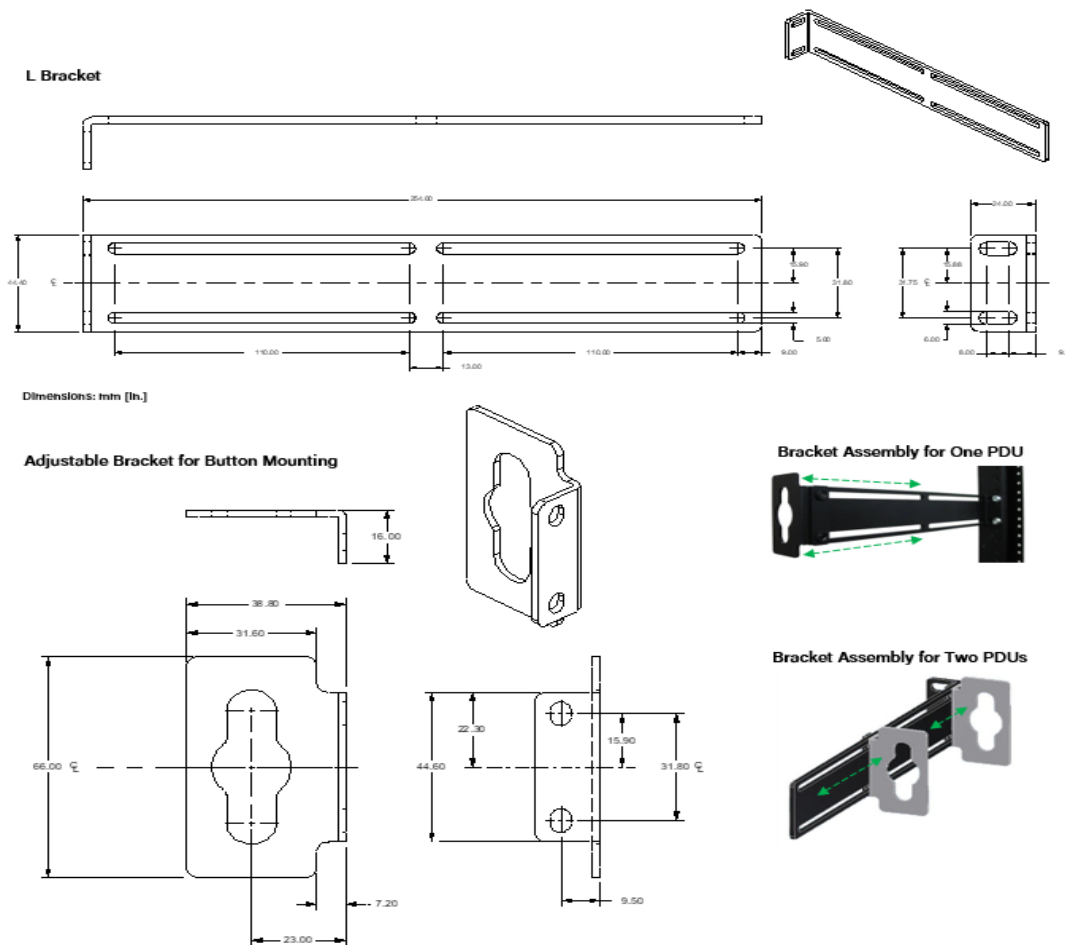
WHAT'S INCLUDED?

| Component | Description | Quantity |
|-----------------|-------------|----------|
| MB-0005-EQFX-10 | L Bracket | 1 |

KIT-MB-34

| Part Number | Mount/Fit | Description |
|-------------|-------------------------------------|---|
| KIT-MB-34 | Vertical, 0U Fits 44mm wide PDUs | Vertical mounting kit for one (1) PDU in a two-post rack. Bracket supports up to two (2) PDUs mounted vertically front-to-back – second adjustable keyhole bracket ordered separately in KIT-MB-35*. The location of the PDU may be adjusted along the 245mm (10 in.) long bracket included. (Uses the one (1) button mount kit (KIT-0020) supplied with each vertical Server Technology Rack PDU.) |

*KIT-MB-35 is used with KIT-MB-34. Includes one (1) adjustable keyhole bracket to mount one (1) PDU. It may require an additional button mount, which can be ordered in KIT-0020 or KIT-0091.



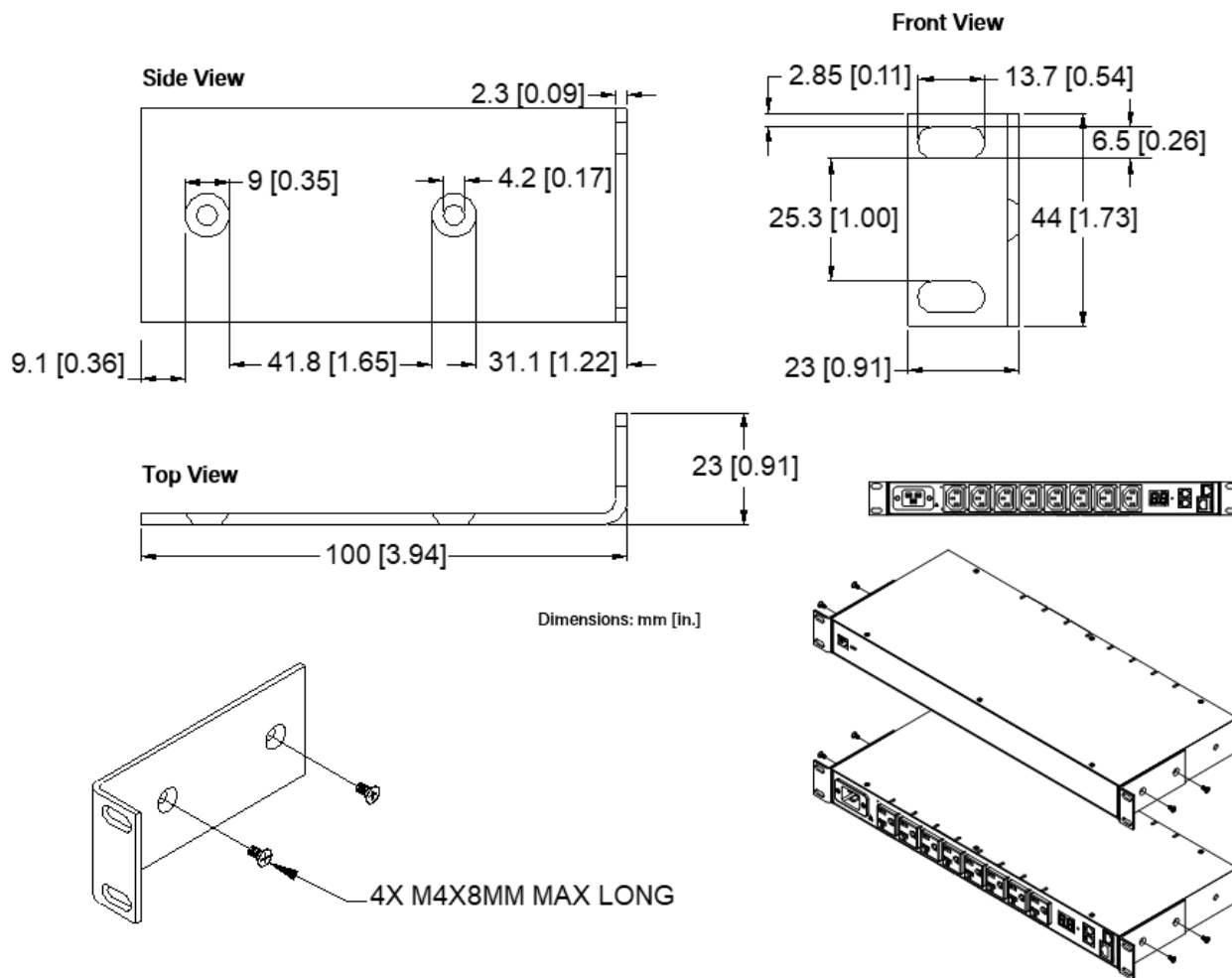
WHAT'S INCLUDED?

| Component | Description | Quantity |
|-----------------------|----------------------------|----------|
| MB-0005-0127-20 | L Bracket | 2 |
| MB-0005-0128-20 | Adjustable keyhole bracket | 1 |
| Multiple Part Numbers | M5 nuts and screws | 2 |

HORIZONTAL MOUNTING SOLUTIONS

KIT-MBH1-1B

| Part Number | Mount/Fit * | Description |
|-------------|--------------------------------|--|
| KIT-MBH1-1B | Horizontal, 1U Most 1U PDUs | Horizontal 482.6mm/19 in. rack mounting L Bracket kit, Black. (One (1) kit is supplied with most 1U horizontal Server Technology Rack PDU.)* |



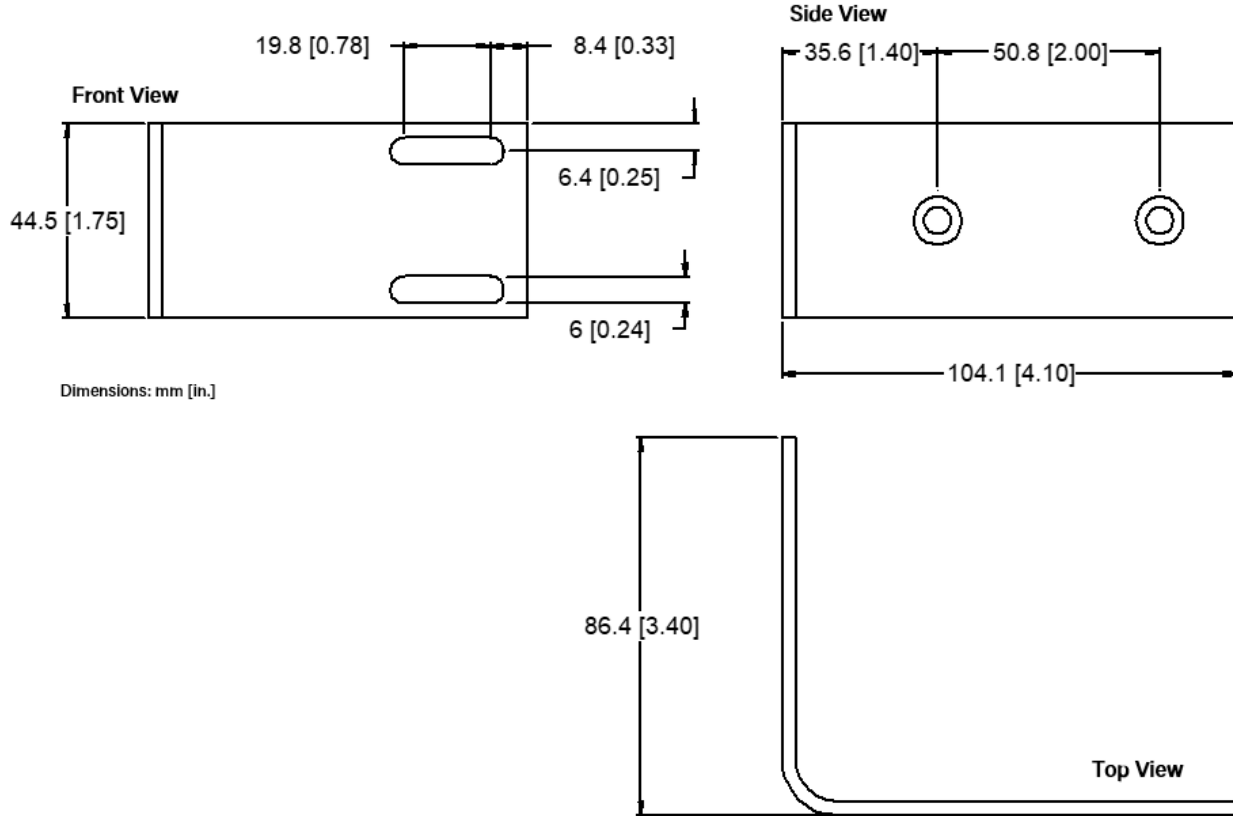
WHAT'S INCLUDED?

| Component | Description | Quantity |
|-----------------|---|----------|
| MB-0005-0023-20 | Mounting L Bracket, Black | 2 |
| HDW-SPMFM408BB | Screw, Phillips, flat, M4x8mm, Black | 4 |
| HDW-SPMFM408BN | Screw, Phillips, flat, M4x8mm, steel Nickel | 4 |

*If needed in Beige, order KIT-MBH1-1. This kit includes two (2) L Brackets.

HDW-MBXT-1U

| Part Number | Mount/Fit | Description |
|-------------|--------------------------------|---|
| HDW-MBXT-1U | Horizontal, 1U Most 1U PDUs | Horizontal 584mm/23 in. rack mounting L Bracket kit, Beige. |

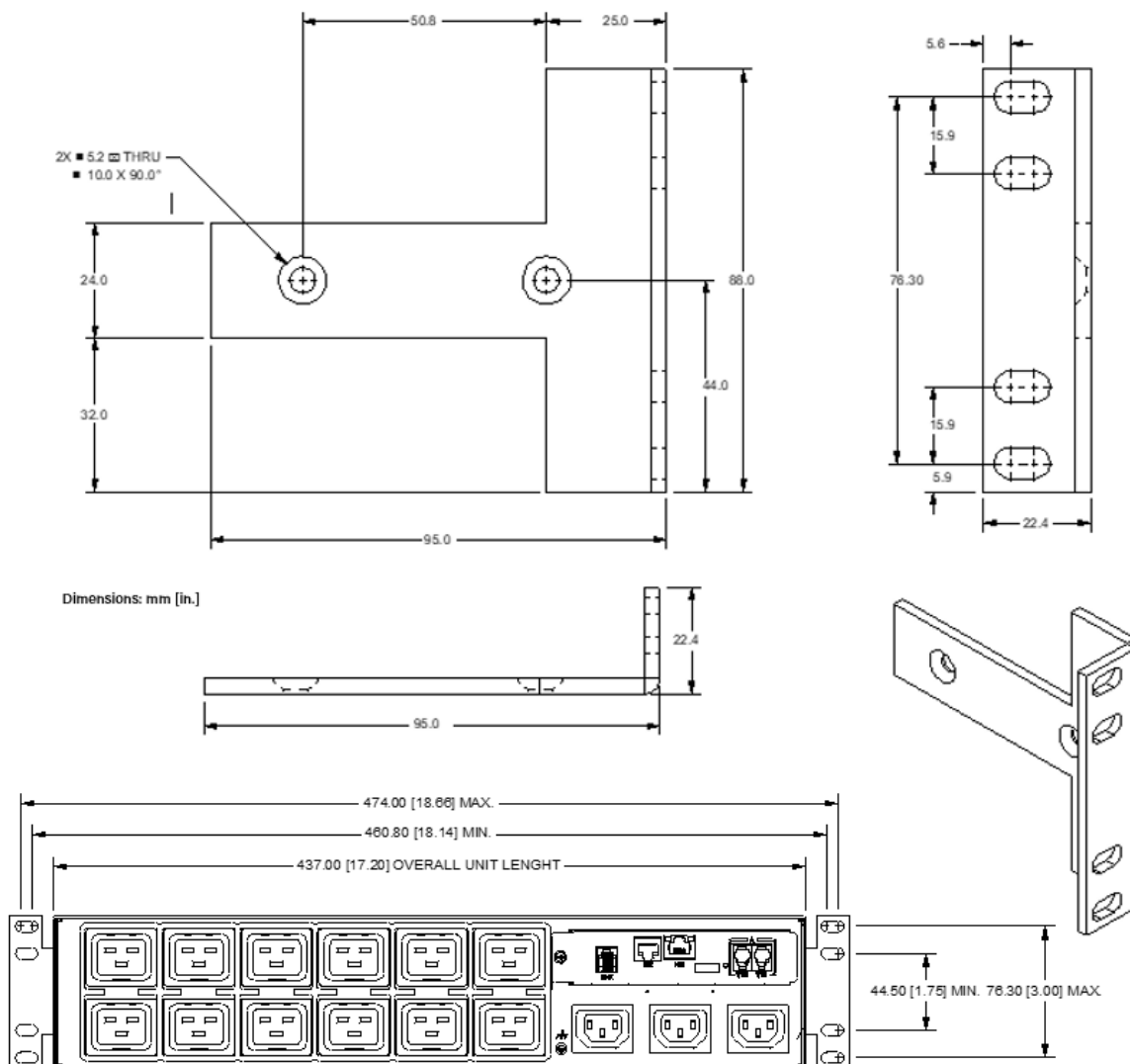


WHAT'S INCLUDED?

| Component | Description | Quantity |
|-------------|---------------------------|----------|
| HDW-MBXT-1U | Mounting L Bracket, Beige | 1 |

KIT-MB-18

| Part Number | Mount/Fit | Description |
|-------------|--------------------------------|--|
| KIT-MB-18 | Horizontal, 2U Most 2U PDUs | Horizontal EIA-310-D Compliant 482.6mm/19 in. rack mounting L Bracket kit, Black paint. (One (1) kit is supplied with most 2U horizontal Server Technology Rack PDU.) |

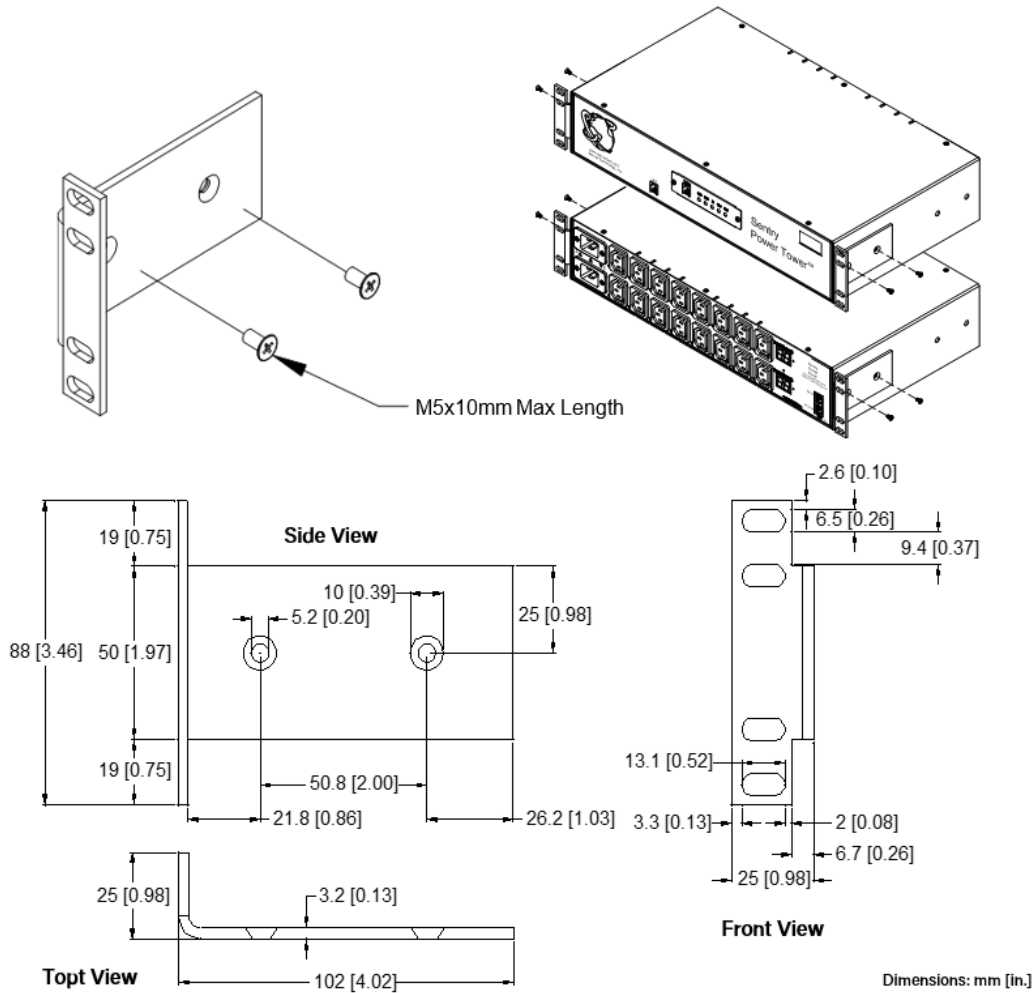


WHAT'S INCLUDED?

| Component | Description | Quantity |
|-----------------|--------------------------------|----------|
| MB-0005-0172-20 | Mounting L Bracket, Black | 2 |
| HDW-SPMFM510BB | Screw, Phillips, flat, M5x10mm | 4 |

KIT-MB2U-4B

| Part Number | Mount/Fit | Description |
|-------------|--------------------------------|---|
| KIT-MB2U-4B | Horizontal, 2U Most 2U PDUs | Horizontal 482.6mm/19 in. rack mounting L Bracket kit, Black paint. |

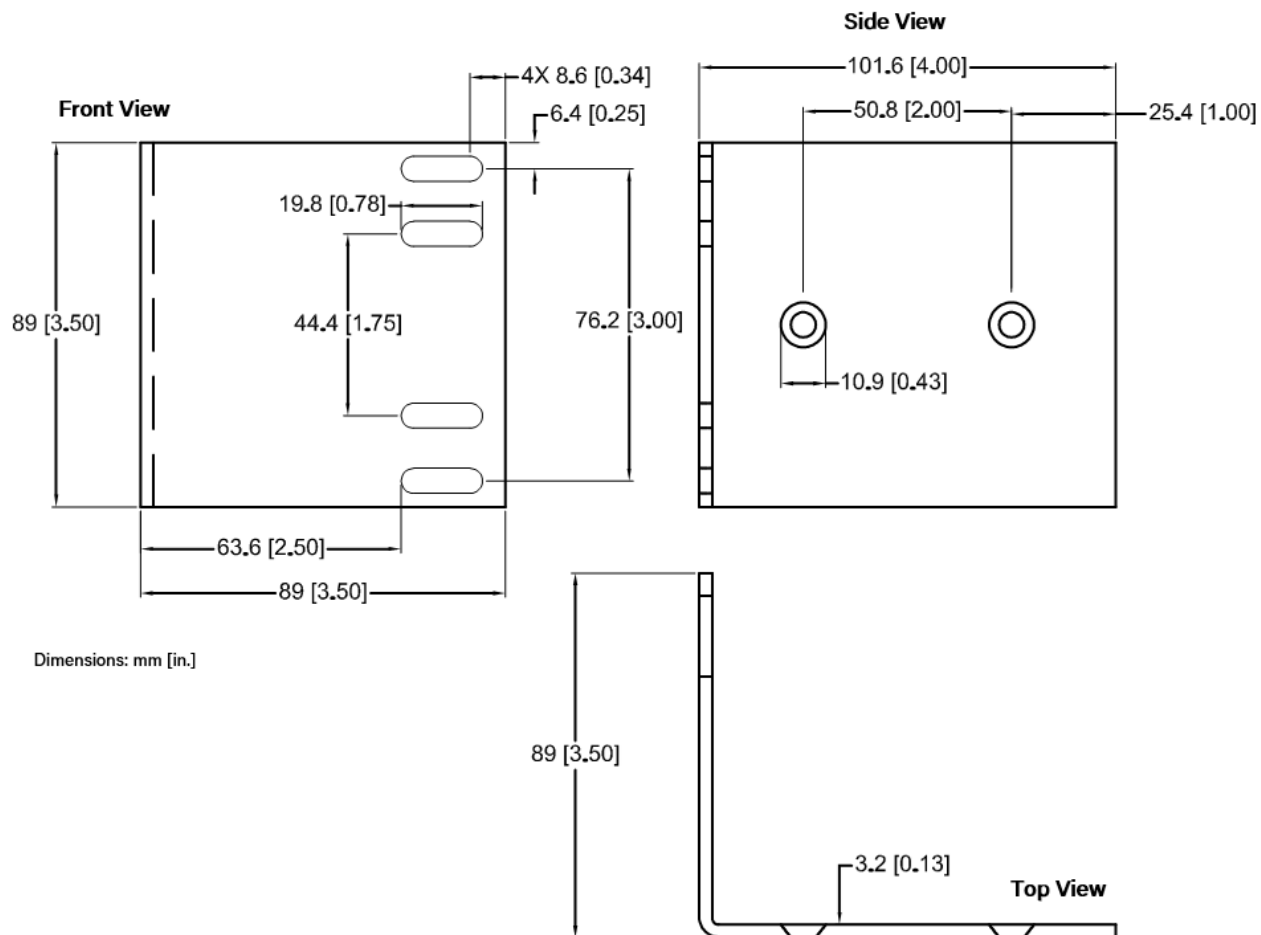


WHAT'S INCLUDED?

| Component | Description | Quantity |
|-----------------|--|----------|
| MB-0005-0026-20 | Mounting L Bracket, 2U products, Black | 2 |
| HDW-SPMFM510BB | Screw, Phillips, flat, M5x10mm | 4 |

HDW-MBXT-2UB

| Part Number | Mount/Fit | Description |
|--------------|--------------------------------|---|
| HDW-MBXT-2UB | Horizontal, 2U Most 2U PDUs | Horizontal 23 in. rack mounting L Bracket kit, Black. Brackets are sold individually; two (2) brackets are required per unit. |



WHAT'S INCLUDED?

| Component | Description | Quantity |
|--------------|-------------|----------|
| HDW-MBXT-2UB | L Bracket | 1 |

| Part Number | Bracket Type | Fit | Most Common |
|-------------------------------|---|---|-------------|
| Vertical Mounting Solutions | | | |
| KIT-0020 KIT-0091 | Mounting Button | Most 0U PDUs | Yes |
| KIT-MB-01 | Angled Bracket | 44 mm/1.75 in. wide PDUs | Yes |
| KIT-MB-02 | Angled Bracket | 44 mm/1.75 in. wide PDUs | |
| KIT-MB-12 | Angled Bracket | 44 mm/1.75 in. wide PDUs | |
| KIT-MB1U-7 | L Bracket | 44 mm/1.75 in. and 56mm/2.20 in. wide PDUs | Yes |
| KIT-MB-32 | L Bracket | 44 mm/1.75 in. wide PDUs | Yes |
| KIT-MB-33 | L Bracket | 44 mm/1.75 in. wide PDUs | Yes |
| KIT-MB-34 KIT-MB-35 | L Bracket | 44 mm/1.75 in. wide PDUs | |
| KIT-MB-40 | U-Shaped Bracket | 56mm/2.20 in. wide PDUs | |
| KIT-MB-41 KIT-MB-42 | L Bracket | 56mm/2.20 in. wide PDUs | |
| KIT-MB-43 | L Bracket | 44 mm/1.75 in. wide PDUs | |
| KIT-MB-48 | L Bracket | 56mm/2.20 in. wide PDUs | Yes |
| KIT-MB-99 | Flat & L Bracket | Most 0U PDUs | Yes |
| KIT-MBVPT-1B KIT-MBNF2-1 | Adjusted Button Bracket with a Universal Slide | Most 0U PDUs | Yes |
| MB-0005-0040-00 | U-Shaped Bracket | 44 mm/1.75 in. wide PDUs | |
| MB-0005-0066-20 | Angled Bracket | Most 0U PDUs | |
| MB-0005-EQFX-10 | U-Shaped Bracket | 44 mm/1.75 in. wide PDUs | Yes |
| Horizontal Mounting Solutions | | | |
| HDW-MBXT-1U | L Bracket | Most 1U PDUs | |
| KIT-MBH1-1B KIT-MBH1-1 | L Bracket | Most 1U PDUs | Yes |
| HDW-MBXT-2UB | L Bracket | Most 2U PDUs | |
| KIT-MB-18 | L Bracket | Most 2U PDUs | Yes |
| KIT-MB2U-4B KIT-MB2U-4 | L Bracket | Most 2U PDUs | |

**Not all mounting solution part numbers are listed. Please contact a representative for a full portfolio of options.*

To learn more visit

[servertech.com/accessories](https://www.servertech.com/accessories)

ServerTech.com

800.835.1515 | sales@servertech.com

©2025 Legrand. All rights reserved. The industry-leading brands of Approved Networks, Ortronics, Raritan, Server Technology, and Starline empower Legrand's Data, Power & Control to produce innovative solutions for data centers, building networks, and facility infrastructures. Our division designs, manufactures, and markets world-class products for a more productive and sustainable future. The exceptional reliability of our technologies results from decades of proven performance and a dedication to research and development. LIT# V2200