

Installing the Fan Module

This document describes the steps for installing a replacement fan module. These instructions apply only to Sentry models designed for fan replacement. Sentry units without a user-accessible fan module must be returned to the factory.

Applies to Products

These installation instructions apply to the following Server Technology products:

Server Technology PN	Fan Module PN
CS-3Vx-P603	KIT-FMK-002
CL-3Vx-P603	KIT-FMK-002

Fan Module Replacement Kit

Do not repair individual fans or the fan module. If a fan failure occurs, immediately replace the entire fan module with the Server Technology fan module in the replacement kit. Do not replace with any other type of fan or fan assembly.

Make sure that the maintenance performed on Server Technology products is done by qualified personnel, otherwise, before attempting to replace the fan module or make any repair, contact Server Technology Technical Support.

ESD Grounding

Turn off the power to the Sentry unit and discharge static electric charge by touching a grounded surface (for example, the metal surface of the power supply) before performing any hardware procedure.

Branch Circuit Protection



Always disconnect ALL power supply cords before opening to avoid electrical shock.
Afin d'éviter les chocs électriques, débranchez TOUTES les câbles électrique avant d'ouvrir.
Immer ALLE Netzleitungen auskuppeln vor den Aufmachen um elektrischen Schlag zu vermeiden.

1.0 Removing the fan module

- 1.1 De-energize the unit by disconnecting ALL infeed power cords.
- 1.2 Remove the two screws attaching the fan module to the enclosure. Retain these screws for installation.
- 1.3 Remove the fan module, carefully disconnecting the internal cable.
- 1.4 Discard the fan module.

2.0 Installing the new fan module

- 2.1 Place the new fan module into the enclosure, carefully connecting the internal cable to the header.
- 2.2 Secure the module with the two retained screws.
- 2.3 Reconnect all infeed power cords.
- 2.4 Log in (through the CLI or Telnet connection) and verify the new fan module is working correctly.

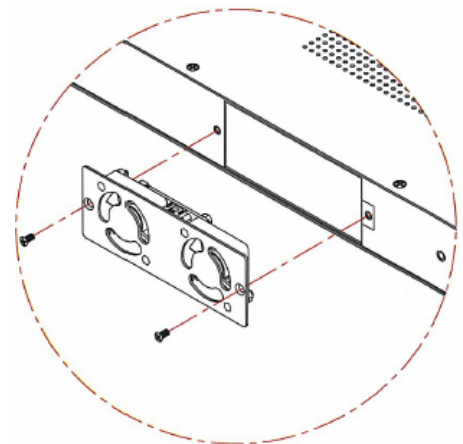


Figure 1. Replacing the Fan Module Assembly