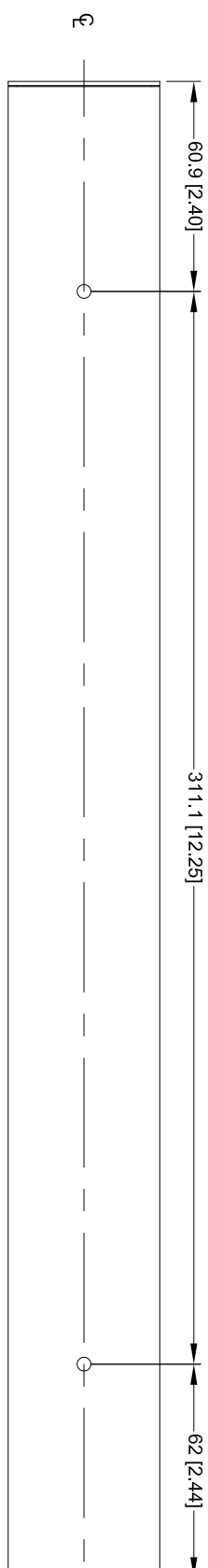


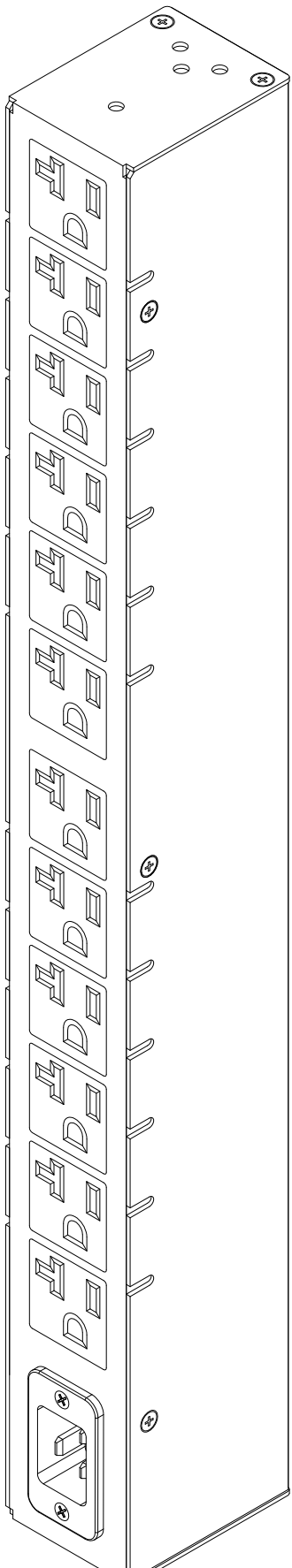
THIS DOCUMENT IS THE SOLE PROPERTY OF SERVER TECHNOLOGY, INC.  
THE RELEASE OF DATA CONTAINED IN THIS DOCUMENT AND THE REPRODUCTION  
OF THIS DOCUMENT, IN WHOLE OR IN PART, WITHOUT THE WRITTEN PERMISSION  
OF SERVER TECHNOLOGY, INC IS PROHIBITED.

NOTES:

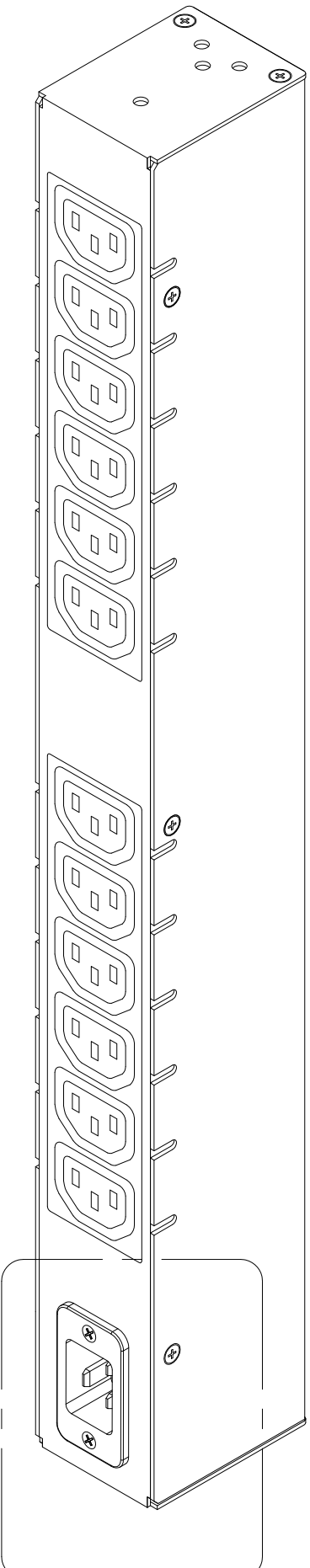
- 1. DIMENSIONS ARE IN MILLIMETERS AND [ ] BRACKETS ARE IN INCHES.
- 2. DIMENSIONS ARE NOMINAL. INFORMATION SUBJECT TO CHANGE WITHOUT NOTICE.



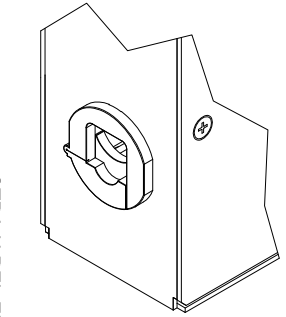
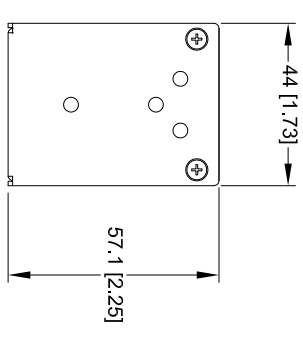
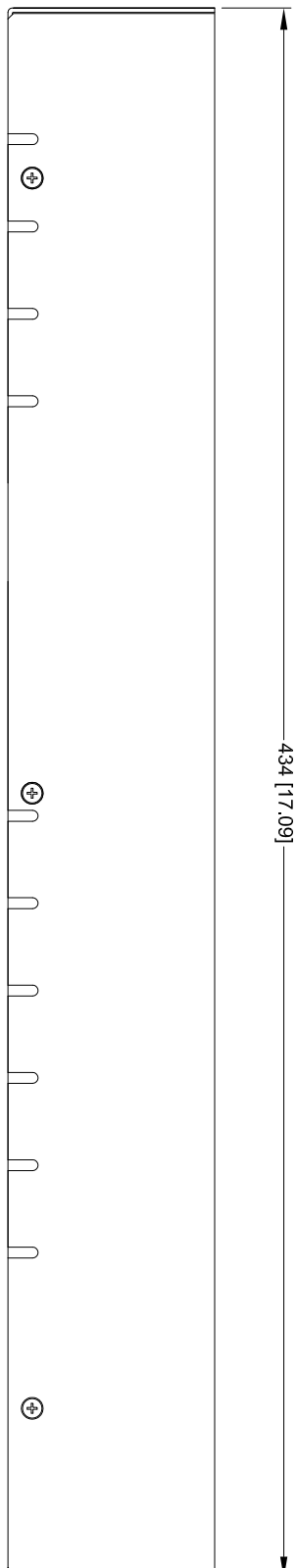
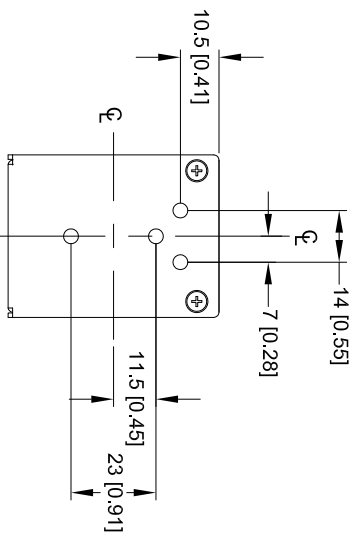
REVISIONS			
REV	DESCRIPTION	DATE	DFT/APPR
A	RELEASED TO PRODUCTION	04/03/08	MAR/JIM



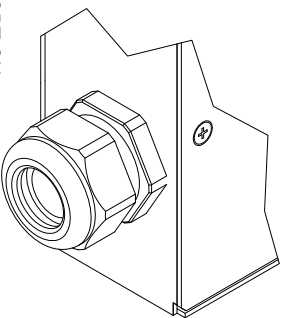
MODEL CB-12H1



MODEL CB-12H2



STRAIN RELIEF HARD-WIRED INLET OPTION  
DETAIL A



A

B

C

D

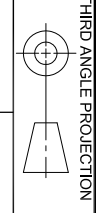
A

B

C

D

**SERVER TECHNOLOGY, INC.**  
1040 Sandhill Drive Reno, NV 89521



UNLESS OTHERWISE SPECIFIED  
 \* INTERPRET DRAWING IN ACCORDANCE WITH ASME Y14.100-2000  
 \* DIMENSIONING & TOLERANCING IN ACCORDANCE WITH ASME Y14.5M-1994  
 \* REMOVE ALL BURRS AND SHARP EDGES 2 R MAX  
 \* DIMENSIONS ARE IN MILLIMETERS  
 \* TOLERANCES ARE: DECIMALS ±.3 ANGLES ±1.0°  
 DO NOT SCALE DRAWING

APPROVALS	DATE
DRAWN BY: M. RAMSEY	03/24/06
CHECKED BY: M. RAYBURN	04/03/08
APPROVED BY: J. MASKALY	04/03/08
RELEASED BY: J. ANDRADE	04/03/08

DRAWING TITLE:  
**SERVER TECHNOLOGY, INC.**  
 1040 Sandhill Drive Reno, NV 89521  
 OUTLINE DRAWING, CDU 12 OUTLETS  
 CB-12Hx-xxx MODELS WITH  
 MOUNTING BRACKET OPTIONS

ROHS COMPLIANT

SCALE: 1/1 FILE NO.: 412-0370-1-1.dwg SHEET 1 OF 3