

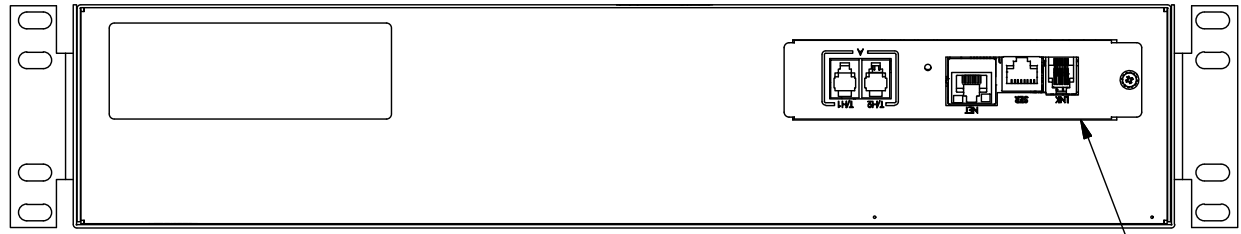
SERVER TECHNOLOGY, INC  
 PROPRIETARY INFORMATION

THIS DOCUMENT IS THE SOLE PROPERTY OF SERVER TECHNOLOGY, INC. THE RELEASE OF DATA CONTAINED IN THIS DOCUMENT AND THE REPRODUCTION OF THIS DOCUMENT, IN WHOLE OR IN PART, WITHOUT THE WRITTEN PERMISSION OF SERVER TECHNOLOGY, INC IS PROHIBITED.

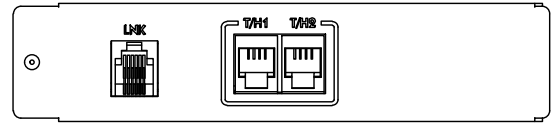
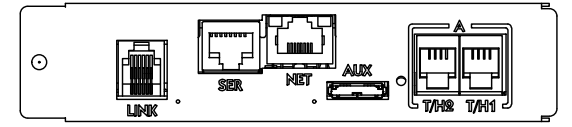
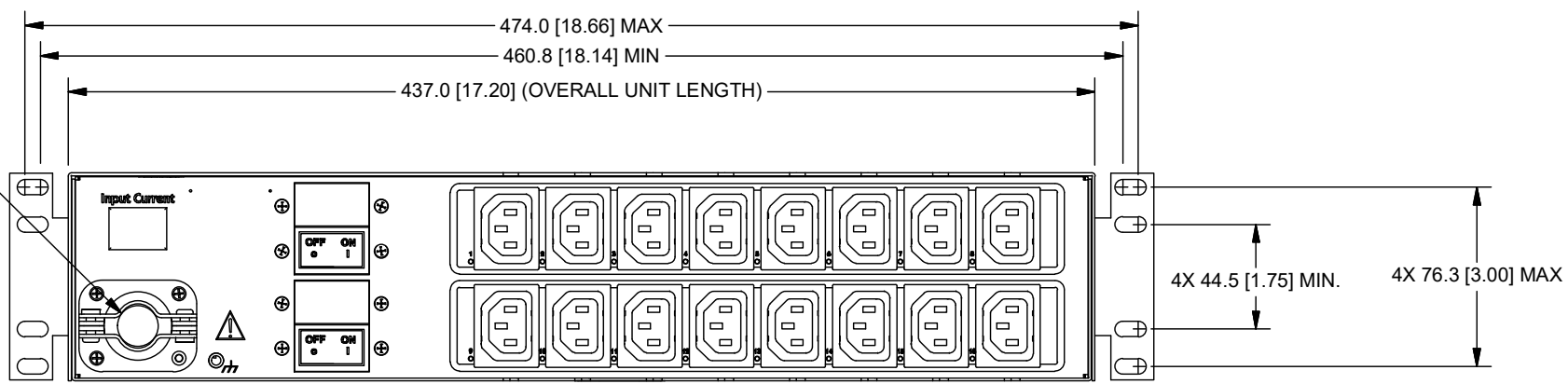
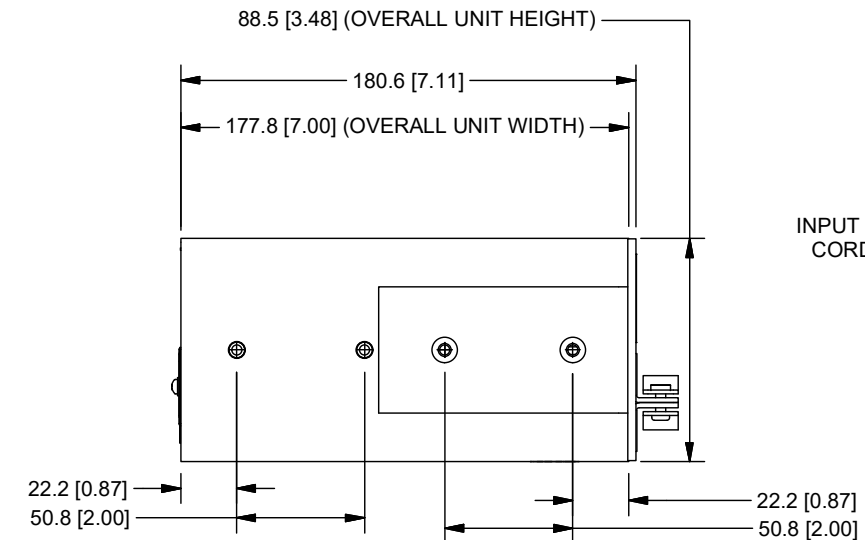
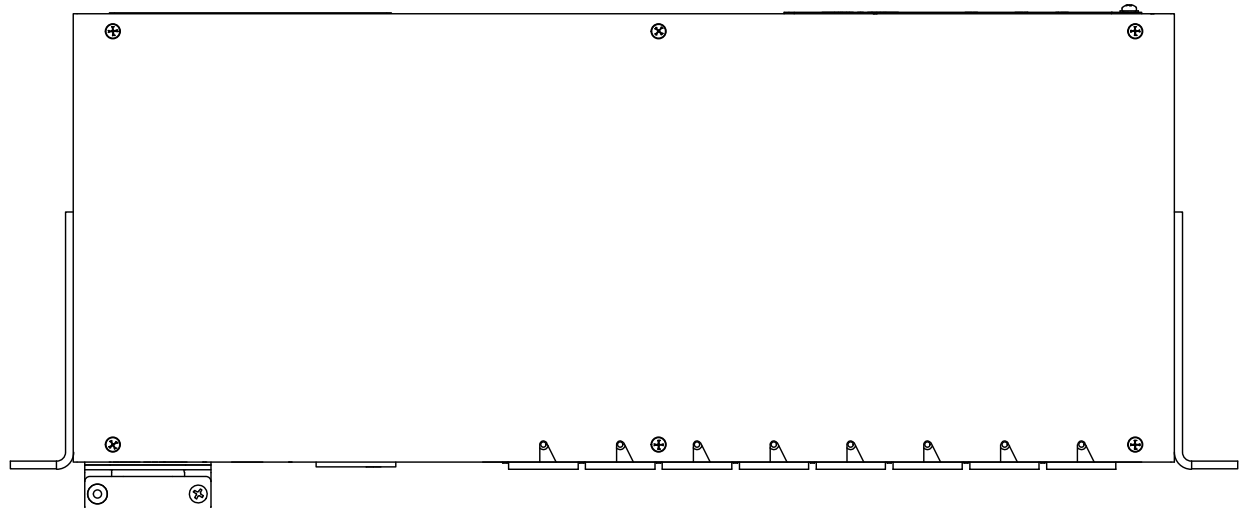
RoHS COMPLIANT

| REVISION HISTORY |     |  |           |          |
|------------------|-----|--|-----------|----------|
| ZONE             | REV | DESCRIPTION                              | DATE      | APPROVED |
| -                | 1   | INITIAL DESIGN                           | 5/13/2015 | JLT/JRM  |
| -                | 1A  | REPLACED ENA-0441-21GL WITH ENA-0441-21H | 7/16/2015 | JLT/JRM  |
| -                | A   | ADDED NETWORK OPTINS DETAIL              | 8/5/2016  | JLT/ROG  |

- NOTES:
1. DIMENSIONS ARE IN MILLIMETERS AND [ ] BRACKETS ARE IN INCHES.
  2. DIMENSIONS ARE NOMINAL. INFORMATION SUBJECT TO CHANGE WITHOUT NOTICE.



SEE DETAIL A



DETAIL A  
 NETWORK OPTIONS

|   |   |
|---|---|
| <b>TOLERANCES</b><br>(UNLESS OTHERWISE SPECIFIED)<br>LINEAR DIMENSIONS:<br>.X = ± .5<br>.XX = ± .30<br>.XXX = ± .130<br>ANGULAR DIMENSIONS:<br>X = ± 1°<br>XX = ± .5°<br>XXX = ± .25° | UNLESS OTHERWISE SPECIFIED<br>* INTERPRET DRAWING IAW ASME Y14.100-2000<br>* DIMENSIONING & TOLERANCING IAW ASME Y14.5M-2009<br>* REMOVE ALL BURRS AND SHARP EDGES .2 R MAX<br>* DIMENSIONS ARE IN MILLIMETERS<br>* DIMENSIONAL LIMITS APPLY AFTER FINISH<br>DO NOT SCALE DRAWING<br>THIRD ANGLE PROJECTION |
|   | SYMBOLS<br>(Q#) = CRITICAL DIM.<br>(#) = COSMETIC SURFACE   |

**SERVER TECHNOLOGY, INC.**

1040 Sandhill Road, Reno, NV 89521

DRAWING TITLE:  
**OUTLINE DRAWING, SWITCHED, PIPS  
 POPS, H16**

|             |              |                    |              |
|-------------|--------------|--------------------|--------------|
| SIZE        | CAGE CODE    | DWG NO.            | REV          |
| <b>B</b>    | <b>049V0</b> | <b>412-0441-21</b> | <b>A</b>     |
| SCALE: NONE |              |                    | SHEET 1 OF 1 |