

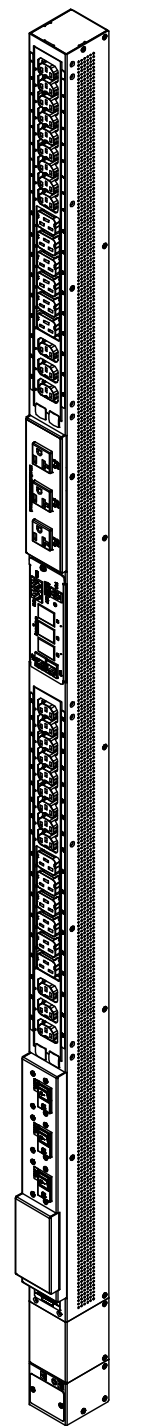
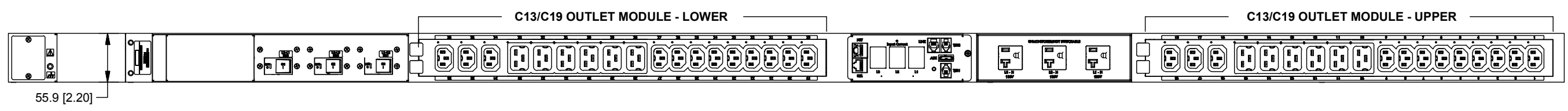
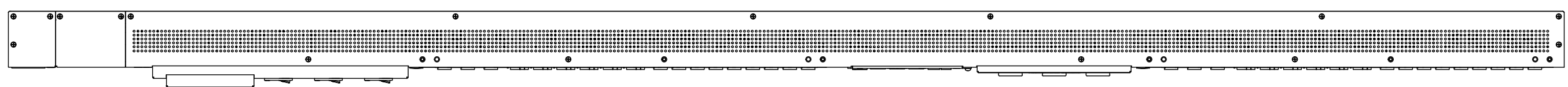
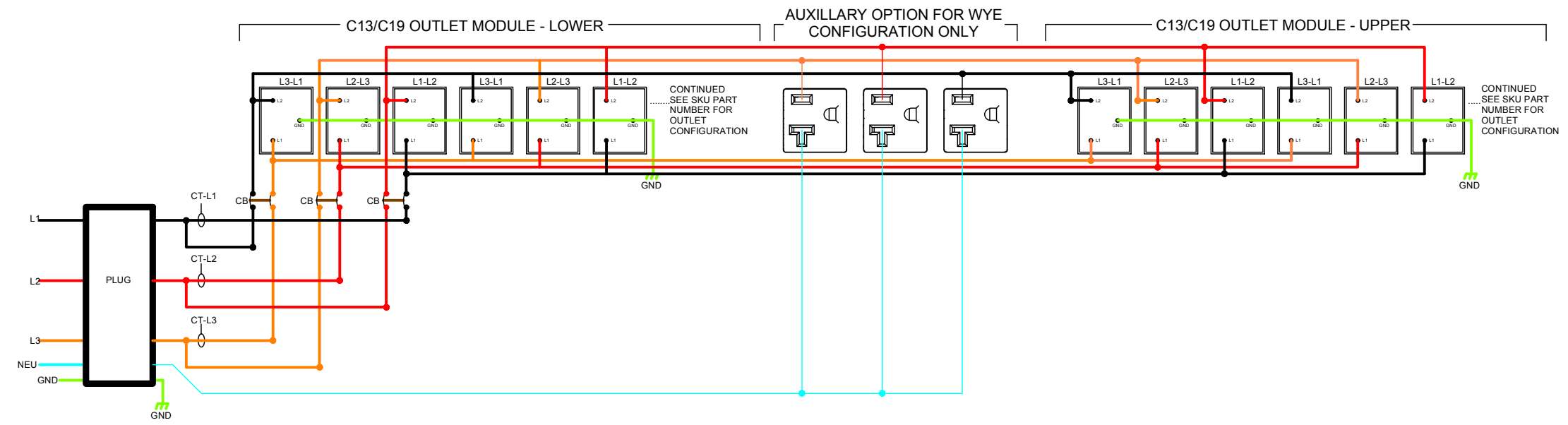
SERVER TECHNOLOGY, INC
 PROPRIETARY INFORMATION

THIS DOCUMENT IS THE SOLE PROPERTY OF SERVER TECHNOLOGY, INC. THE RELEASE OF DATA CONTAINED IN THIS DOCUMENT AND THE REPRODUCTION OF THIS DOCUMENT, IN WHOLE OR IN PART, WITHOUT THE WRITTEN PERMISSION OF SERVER TECHNOLOGY, INC IS PROHIBITED.

THESE COMMODITIES, TECHNOLOGY OR SOFTWARE WERE EXPORTED FROM THE UNITED STATES IN ACCORDANCE WITH THE EXPORT ADMINISTRATION REGULATIONS. DIVERSION CONTRARY TO U.S. LAW IS PROHIBITED.

RoHS COMPLIANT

REVISION HISTORY				
ZONE	REV	DESCRIPTION	DATE	APPROVED
-	1	INITIAL DESIGN	12/18/2014	ROG/VB
-	2	UPDATED SKU SPREADSHEET	3/9/2015	JWM/ROG



Part Number	Expansion	Certification	Input	Output	Branch Circuit Rating		
Master	Expansion	Rating Standard	Rating	Input Type	Total Output Rating	Outlet Type and Ratings	Branch Circuit Rating
C2WxxCE-DBMFAMyy	C2XxxCE-DBMFAMyy	cTUVus and/or cULus	208V 3P+PE, 50/60Hz; 16A	NEMA L15-20P	208V, 50/60Hz; <= 27.7A	IEC 60320: C19 <= 16A each, C13 <= 12A each	3 branches, each <= 16A
C2WxxCE-DCMFAMyy	C2XxxCE-DCMFAMyy	cTUVus and/or cULus	208V 3P+PE, 50/60Hz; 24A	NEMA L15-30P	208V, 50/60Hz; <= 41.5A	IEC 60320: C19 <= 16A each, C13 <= 12A each	3 branches, each <= 16A
C2WxxCE-YBMFAMyy	C2XxxCE-YBMFAMyy	cTUVus and/or cULus	120/208V 3P+N+PE, 50/60Hz; 16A	NEMA L21-20P	208V, 50/60Hz; <= 27.7A	IEC 60320: C19 <= 16A each, C13 <= 12A each, NEMA 5-20R <= 16A each	3 branches, each <= 16A
C2WxxCE-YCMFAMyy	C2XxxCE-YCMFAMyy	cTUVus and/or cULus	120/208V 3P+N+PE, 50/60Hz; 24A	NEMA L21-30P	208V, 50/60Hz; <= 41.5A	IEC 60320: C19 <= 16A each, C13 <= 12A each, NEMA 5-20R <= 16A each	3 branches, each <= 16A

Note: "xx" designates total number of outlets and "yy" designates code for number of C19 outlets in each of the two outlet modules

<p>TOLERANCES (UNLESS OTHERWISE SPECIFIED)</p> <p>LINEAR DIMENSIONS: X = ± .500 XX = ± .300 XXX = ± .130</p> <p>ANGULAR DIMENSIONS: X = ± 1° XX = ± .5° XXX = ± .25°</p> <p>SYMBOLS (Q#) = CRITICAL DIM. (S) = COSMETIC SURFACE</p>	<p>UNLESS OTHERWISE SPECIFIED</p> <p>* INTERPRET DRAWING IAW ASME Y14.100-2000</p> <p>* DIMENSIONING & TOLERANCING IAW ASME Y14.5M-2007</p> <p>* REMOVE ALL BURRS AND SHARP EDGES .2 R MAX</p> <p>* DIMENSIONS ARE IN MILLIMETERS</p> <p>* DIMENSIONAL LIMITS APPLY AFTER PLATING/COATING.</p> <p>DO NOT SCALE DRAWING</p> <p>THIRD ANGLE PROJECTION</p>	<p>SERVER TECHNOLOGY, INC.</p> <p>1040 Sandhill Drive Reno, NV 89521</p>			
		<p>DRAWING TITLE: FUNCTIONAL BLOCK WIRING DIAGRAM, SWITCHED, PIPS</p>			
<p>FINISH:</p>		<p>SIZE: B</p>	<p>CAGE CODE: 049V0</p>	<p>DWG NO.: 495-0983-30</p>	<p>REV: 2</p>
<p>SCALE: NONE</p>		<p>SHEET 1 OF 1</p>			