

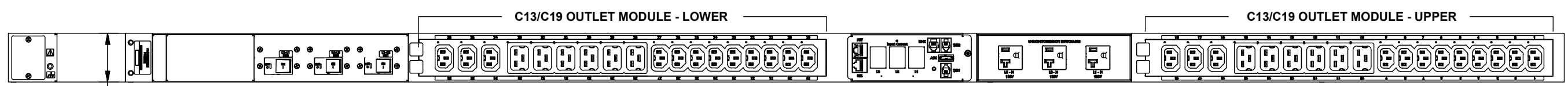
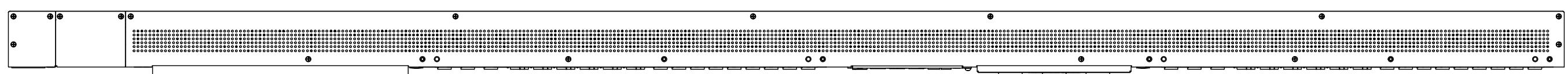
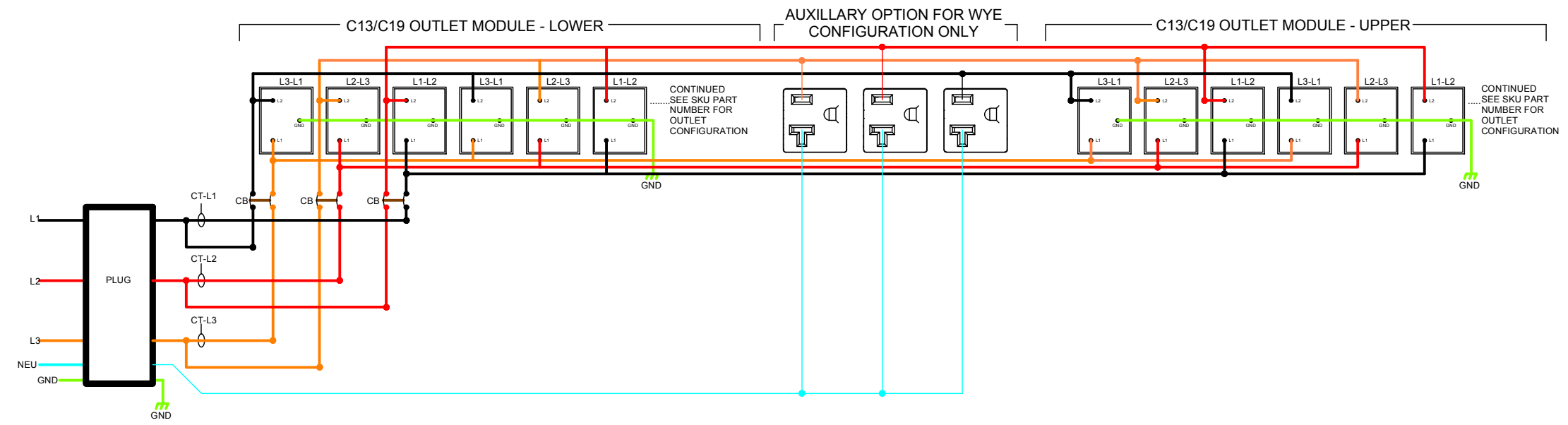
SERVER TECHNOLOGY, INC
 PROPRIETARY INFORMATION

THIS DOCUMENT IS THE SOLE PROPERTY OF SERVER TECHNOLOGY, INC. THE RELEASE OF DATA CONTAINED IN THIS DOCUMENT AND THE REPRODUCTION OF THIS DOCUMENT, IN WHOLE OR IN PART, WITHOUT THE WRITTEN PERMISSION OF SERVER TECHNOLOGY, INC IS PROHIBITED.

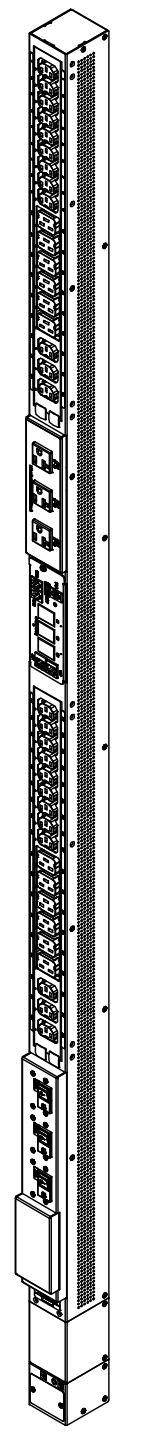
THESE COMMODITIES, TECHNOLOGY OR SOFTWARE WERE EXPORTED FROM THE UNITED STATES IN ACCORDANCE WITH THE EXPORT ADMINISTRATION REGULATIONS. DIVERSION CONTRARY TO U.S. LAW IS PROHIBITED.

RoHS COMPLIANT

REVISION HISTORY				
ZONE	REV	DESCRIPTION	DATE	APPROVED
-	1	INITIAL DESIGN	12/18/2014	ROG/VB
-	2	UPDATED SKU SPREADSHEET	3/9/2015	JWM/ROG



55.9 [2.20]



ISO VIEW

Part Number	Expansion	Certification	Input		Output	
			Rating	Input Type	Total Output Rating	Outlet Type and Ratings
C2WxxCE-DBMFA9yy	C2XxxCE-DBMEA9yy	cTUVus and/or cULus	208V 3P+PE, 50/60Hz; 16A	NEMA L15-20P	208V, 50/60Hz; <= 27.7A	IEC 60320: C19 <= 16A each, C13 <= 12A each
C2WxxCE-DCMFA9yy	C2XxxCE-DCMEA9yy	cTUVus and/or cULus	208V 3P+PE, 50/60Hz; 24A	NEMA L15-30P	208V, 50/60Hz; <= 41.5A	IEC 60320: C19 <= 16A each, C13 <= 12A each
C2WxxCE-YBMFA9yy	C2XxxCE-YBMEA9yy	cTUVus and/or cULus	120/208V 3P+N+PE, 50/60Hz; 16A	NEMA L21-20P	208V, 50/60Hz; <= 27.7A	IEC 60320: C19 <= 16A each, C13 <= 12A each, NEMA 5-20R <= 16A each
C2WxxCE-YCMFA9yy	C2XxxCE-YCMEA9yy	cTUVus and/or cULus	120/208V 3P+N+PE, 50/60Hz; 24A	NEMA L21-30P	208V, 50/60Hz; <= 41.5A	IEC 60320: C19 <= 16A each, C13 <= 12A each, NEMA 5-20R <= 16A each

Note: "xx" designates total number of outlets and "yy" designates code for number of C19 outlets in each of the two outlet modules

TOLERANCES
 (UNLESS OTHERWISE SPECIFIED)
 LINEAR DIMENSIONS:
 X = ± .500
 XX = ± .300
 XXX = ± .130

ANGULAR DIMENSIONS:
 X = ± 1°
 XX = ± .5°
 XXX = ± .25°

SYMBOLS
 (Q#) = CRITICAL DIM.
 (S) = COSMETIC SURFACE

UNLESS OTHERWISE SPECIFIED
 * INTERPRET DRAWING IAW ASME Y14.100-2000
 * DIMENSIONING & TOLERANCING IAW ASME Y14.5M-2007
 * REMOVE ALL BURRS AND SHARP EDGES .2 R MAX
 * DIMENSIONS ARE IN MILLIMETERS
 * DIMENSIONAL LIMITS APPLY AFTER PLATING/COATING.

DO NOT SCALE DRAWING
 THIRD ANGLE PROJECTION

MATERIAL:
 FINISH:

SERVER TECHNOLOGY, INC.
 1040 Sandhill Drive Reno, NV 89521

DRAWING TITLE:
**FUNCTIONAL BLOCK WIRING DIAGRAM,
 SWITCHED, PIPS**

SIZE	CAGE CODE	DWG NO.	REV
B	049V0	495-0983-30	2
SCALE: NONE	SHEET 1 OF 1		