

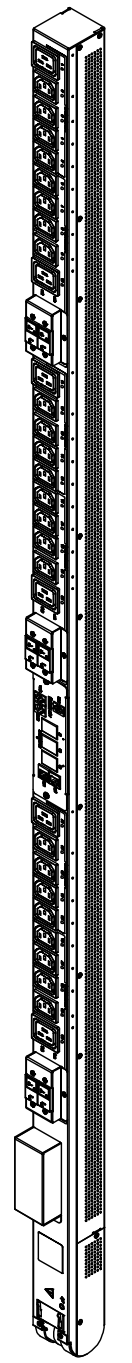
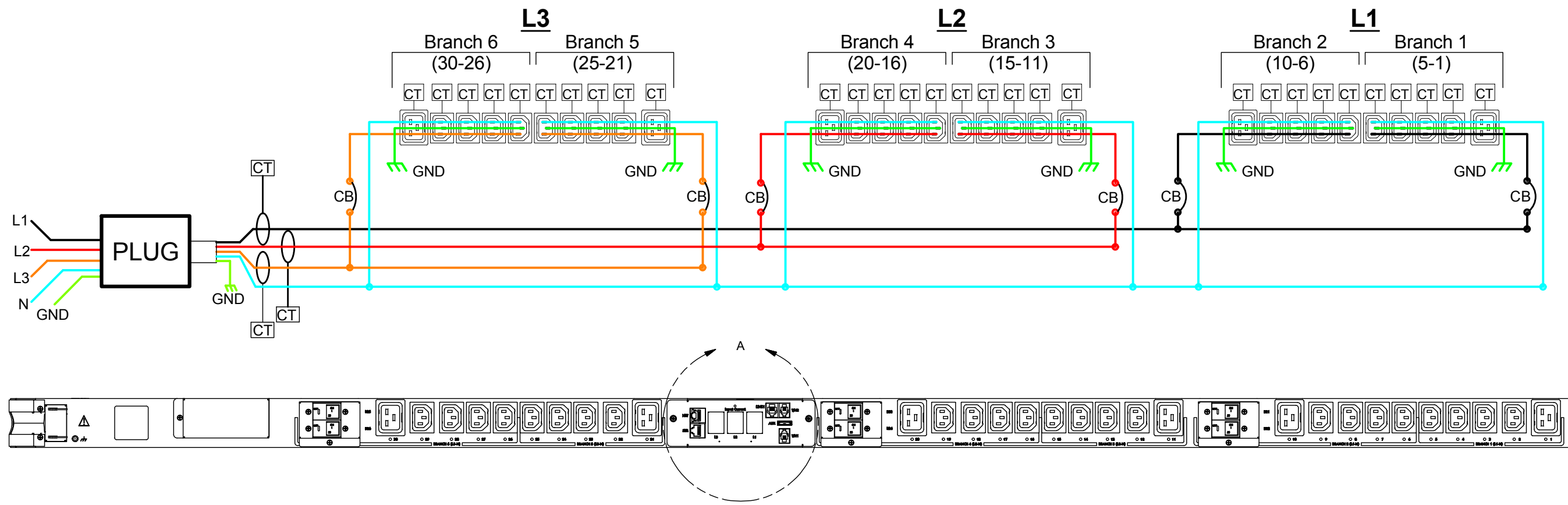
SERVER TECHNOLOGY, INC
 PROPRIETARY INFORMATION

THIS DOCUMENT IS THE SOLE PROPERTY OF SERVER TECHNOLOGY, INC. THE RELEASE OF DATA CONTAINED IN THIS DOCUMENT AND THE REPRODUCTION OF THIS DOCUMENT, IN WHOLE OR IN PART, WITHOUT THE WRITTEN PERMISSION OF SERVER TECHNOLOGY, INC IS PROHIBITED.

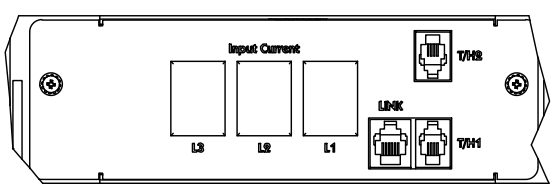
THESE COMMODITIES, TECHNOLOGY OR SOFTWARE WERE EXPORTED FROM THE UNITED STATES IN ACCORDANCE WITH THE EXPORT ADMINISTRATION REGULATIONS. DIVERSION CONTRARY TO U.S. LAW IS PROHIBITED.

RoHS COMPLIANT

REVISION HISTORY				
ZONE	REV	DESCRIPTION	DATE	APPROVED
-	1	INITIAL DESIGN	12/3/2014	JWM/ROG



Part Number	Expansion	Certification	Input	Output
Master	Expansion	Rating Standard	Rating	Input Type
C2WG30VY-4NKE2SC2 (STV-6503J)	C2XG30VY-4NKE2SC2 (SEV-6503J)	TUVGS	230/400V 3P+N+PE, 50/60Hz; 16A	IEC 60309 16A
C2WG30VY-4PKE2SC2 (STV-6503K)	C2XG30VY-4PKE2SC2 (SEV-6503K)	TUVGS	230/400V 3P+N+PE, 50/60Hz; 32A	IEC 60309 32A
C2WG30VY-5BKE2SC2 (STV-6503A)	C2XG30VY-5BKE2SC2 (SEV-6503A)	cTUVus and/or cULus	240/415V 3P+N+PE, 50/60Hz; 16A	NEMA L22-20P
C2WG30VY-5CKE2SC2 (STV-6503Z)	C2XG30VY-5CKE2SC2 (SEV-6503Z)	cTUVus and/or cULus	240/415V 3P+N+PE, 50/60Hz; 24A	NEMA L22-30P
C2WG30VY-5NKE2SC2 (STV-6503C)	C2XG30VY-5NKE2SC2 (SEV-6503C)	cTUVus and/or cULus	240/415V 3P+N+PE, 50/60Hz; 16A	IEC 60309 20A
C2WG30VY-5PKE2SC2 (STV-6503D)	C2XG30VY-5PKE2SC2 (SEV-6503D)	cTUVus and/or cULus	240/415V 3P+N+PE, 50/60Hz; 24A	IEC 60309 30A
				Total Output Rating
				230V, 50/60Hz; <= 48A
				230V, 50/60Hz; <= 96A
				240V, 50/60Hz; <= 48A
				240V, 50/60Hz; <= 72A
				240V, 50/60Hz; <= 48A
				240V, 50/60Hz; <= 72A
				Outlet Type and Ratings
				IEC 60320: 6x C19 <= 16A each, 24x C13 <= 10A each
				IEC 60320: 6x C19 <= 16A each, 24x C13 <= 10A each
				IEC 60320: 6x C19 <= 16A each, 24x C13 <= 12A each
				IEC 60320: 6x C19 <= 16A each, 24x C13 <= 12A each
				IEC 60320: 6x C19 <= 16A each, 24x C13 <= 12A each
				IEC 60320: 6x C19 <= 16A each, 24x C13 <= 12A each
				Branch Circuit Rating
				6 branches, each <= 16A
				6 branches, each <= 16A
				6 branches, each <= 16A
				6 branches, each <= 16A
				6 branches, each <= 16A
				6 branches, each <= 16A



DETAIL A
 C2XG EXPANSION UNIT

TOLERANCES
 (UNLESS OTHERWISE SPECIFIED)
 LINEAR DIMENSIONS:
 X = ± .500
 XX = ± .300
 XXX = ± .130

ANGULAR DIMENSIONS:
 X = ± 1°
 XX = ± .5°
 XXX = ± .25°

SYMBOLS
 (Q#) = CRITICAL DIM.
 (S) = COSMETIC SURFACE

UNLESS OTHERWISE SPECIFIED
 * INTERPRET DRAWING IAW ASME Y14.100-2000
 * DIMENSIONING & TOLERANCING IAW ASME Y14.5M-2007
 * REMOVE ALL BURRS AND SHARP EDGES .2 R MAX
 * DIMENSIONS ARE IN MILLIMETERS
 * DIMENSIONAL LIMITS APPLY AFTER PLATING/COATING.

DO NOT SCALE DRAWING
 THIRD ANGLE PROJECTION

MATERIAL:
 FINISH:

SERVER TECHNOLOGY, INC.

1040 Sandhill Drive Reno, NV 89521

DRAWING TITLE:
**FUNCTIONAL BLOCK WIRING DIAGRAM,
 CDU2, SWITCHED, PIPS, POPS**

SIZE	CAGE CODE	DWG NO.	REV
B	049V0	495-0761-22	1
SCALE: NONE	SHEET		1 OF 1