

RoHS COMPLIANT

| REVISION HISTORY | | | | |
|------------------|-----|----------------|-----------|----------|
| ZONE | REV | DESCRIPTION | DATE | APPROVED |
| - | 1 | INITIAL DESIGN | 8/28/2015 | JWM/ROG |

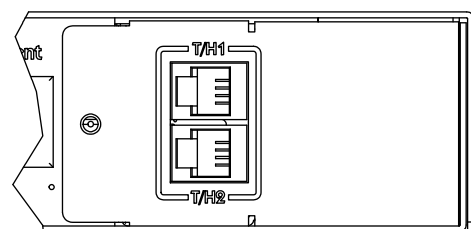
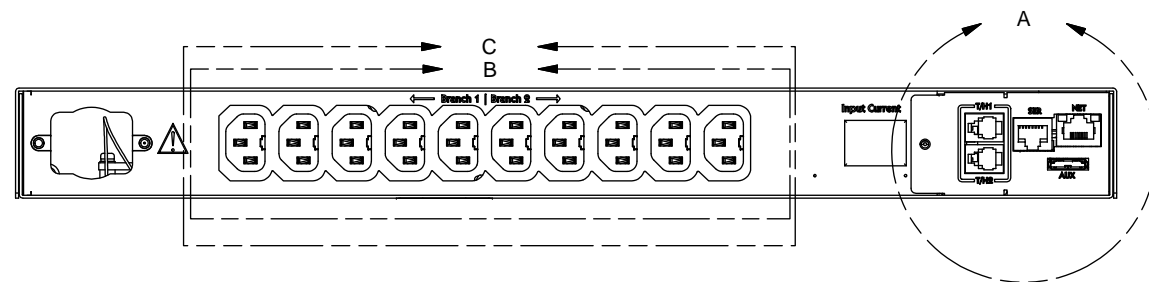
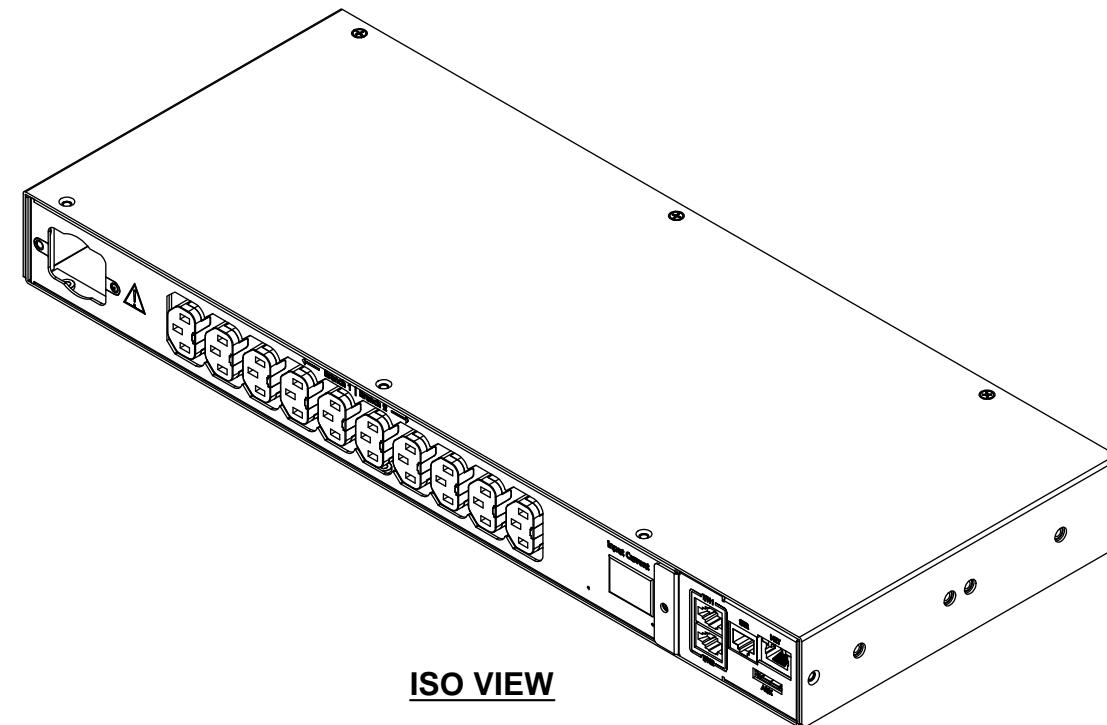
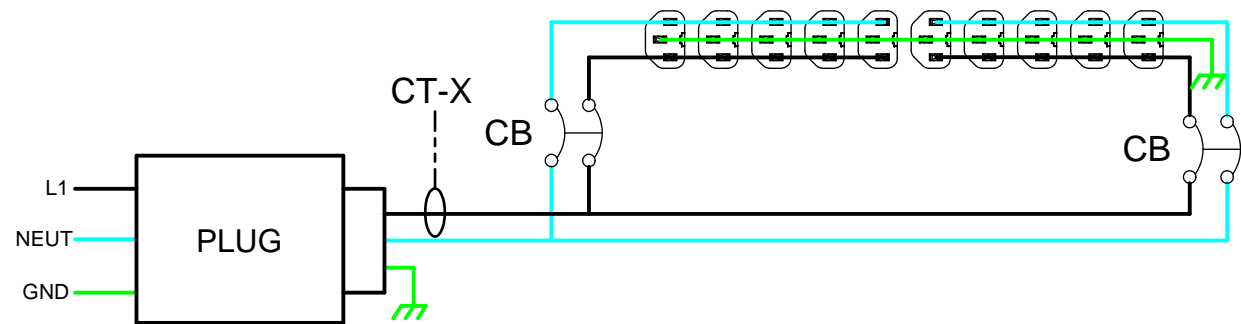
SERVER TECHNOLOGY, INC
 PROPRIETARY INFORMATION

THIS DOCUMENT IS THE SOLE PROPERTY OF SERVER TECHNOLOGY, INC. THE RELEASE OF DATA CONTAINED IN THIS DOCUMENT AND THE REPRODUCTION OF THIS DOCUMENT, IN WHOLE OR IN PART, WITHOUT THE WRITTEN PERMISSION OF SERVER TECHNOLOGY, INC IS PROHIBITED.

THESE COMMODITIES, TECHNOLOGY OR SOFTWARE WERE EXPORTED FROM THE UNITED STATES IN ACCORDANCE WITH THE EXPORT ADMINISTRATION REGULATIONS. DIVERSION CONTRARY TO U.S. LAW IS PROHIBITED.

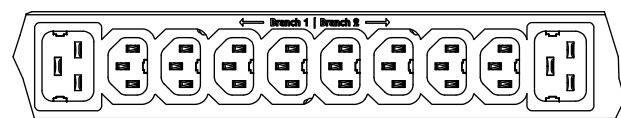
NOTES:

- SEE STI QUALITY STANDARD #104-1000-1 FOR GENERAL REQUIREMENTS.

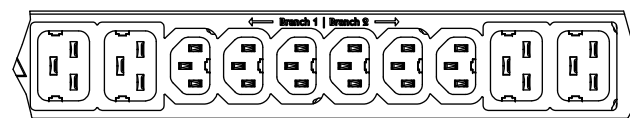


| Part Number | Expansion | Certification | Input | Output | Output | Output | Branch Circuit Rating |
|---------------|---------------|---------------------|------------------------------|---------------|-----------------------------|---|-------------------------|
| Model | Expansion | Rating Standard | Rating | Input Type | Output Rating North America | Outlet Type and Ratings | Branch Circuit Rating |
| CS-10H2C413H1 | CL-10H2C413H1 | cTUVus and/or cULus | 208-240V 2P+PE, 50/60Hz; 24A | NEMA L6-30P | 240V, 50/60Hz; <= 24A | IEC 60320: 10xC13 <= 12A each | 2 branches, each <= 16A |
| CS-10H2C413H3 | CL-10H2C413H3 | cTUVus and/or cULus | 208-240V 2P+PE, 50/60Hz; 24A | NEMA L6-30P | 240V, 50/60Hz; <= 24A | IEC 60320: 2xC19 <= 16A each, 8xC13 <= 12A each | 2 branches, each <= 16A |
| CS-10H0A413H1 | CL-10H0A413H1 | cTUVus and/or cULus | 208-240V 2P+PE, 50/60Hz; 16A | IEC C20 | 240V, 50/60Hz; <= 16A | IEC 60320: 10xC13 <= 12A each | 2 branches, each <= 16A |
| | | | | | 230V 2P+PE, 50/60Hz; 16A | IEC C20 | 240V, 50/60Hz; <= 16A |
| CS-10H0A413H3 | CL-10H0A413H3 | cTUVus and/or cULus | 208-240V 2P+PE, 50/60Hz; 16A | IEC C20 | 240V, 50/60Hz; <= 16A | IEC 60320: 2xC19 <= 16A each, 8xC13 <= 12A each | 2 branches, each <= 16A |
| | | | | | 230V 2P+PE, 50/60Hz; 16A | IEC C20 | 240V, 50/60Hz; <= 16A |
| CS-10HEK413H1 | CL-10HEK413H1 | TUVGS | 230V 2P+PE, 50/60Hz; 32A | IEC 60309 32A | 240V, 50/60Hz; <= 32A | IEC 60320: 10xC13 <= 10A each | 2 branches, each <= 16A |
| CS-10HEK413H3 | CL-10HEK413H3 | TUVGS | 230V 2P+PE, 50/60Hz; 32A | IEC 60309 32A | 240V, 50/60Hz; <= 32A | IEC 60320: 2xC19 <= 16A each, 8xC13 <= 10A each | 2 branches, each <= 16A |

DETAIL A
 'CL' EXPANSION VIEW



DETAIL B
 (2)C19 (8)C13 MODULE



DETAIL C
 (4)C19 (6)C13 MODULE

TOLERANCES
 (UNLESS OTHERWISE SPECIFIED)
 LINEAR DIMENSIONS:
 .X = ± .500
 .XX = ± .300
 .XXX = ± .130

ANGULAR DIMENSIONS:
 X = ± 1°
 X.X = ± .5°
 X.XX = ± .25°

SYMBOLS
 (Q#) = CRITICAL DIM.
 (S) = COSMETIC SURFACE

UNLESS OTHERWISE SPECIFIED
 • INTERPRET DRAWING IAW ASME Y14.100-2000
 • DIMENSIONING & TOLERANCING IAW ASME Y14.5M-2007
 • REMOVE ALL BURRS AND SHARP EDGES .2 R MAX
 • DIMENSIONS ARE IN MILLIMETERS
 • DIMENSIONAL LIMITS APPLY AFTER PLATING/COATING.

DO NOT SCALE DRAWING
 THIRD ANGLE PROJECTION

MATERIAL:

FINISH:

SERVER TECHNOLOGY, INC.
 1040 Sandhill Drive Reno, NV 89521



DRAWING TITLE:
**FUNCTIONAL BLOCK WIRING DIAGRAM,
 SMART, PIPS**

| | | | |
|-------------|--------------|------------|-----|
| SIZE | CAGE CODE | DWG NO. | REV |
| B | 049V0 | 495-1050-1 | 1 |
| SCALE: NONE | SHEET 1 OF 1 | | |