

8

7

6

5

4

3

2

1

SERVER TECHNOLOGY, INC
PROPRIETARY INFORMATION

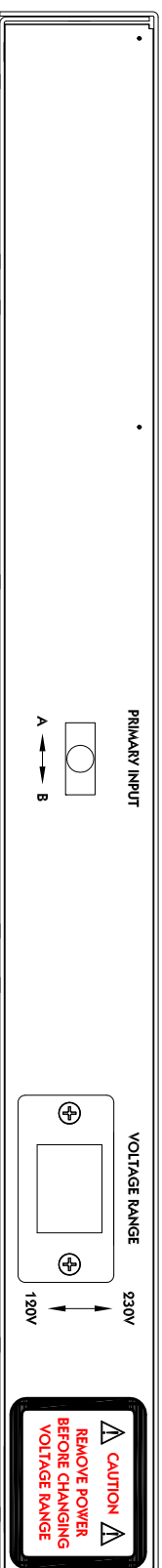
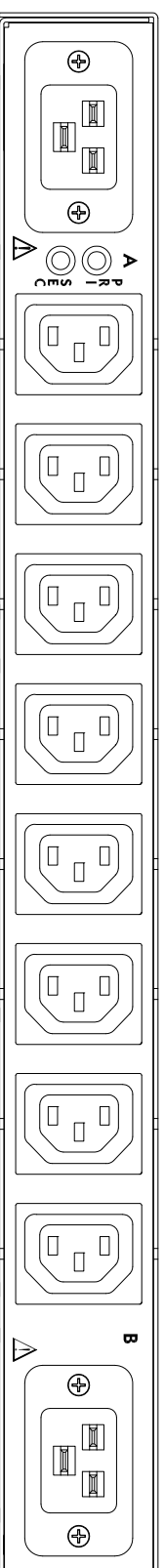
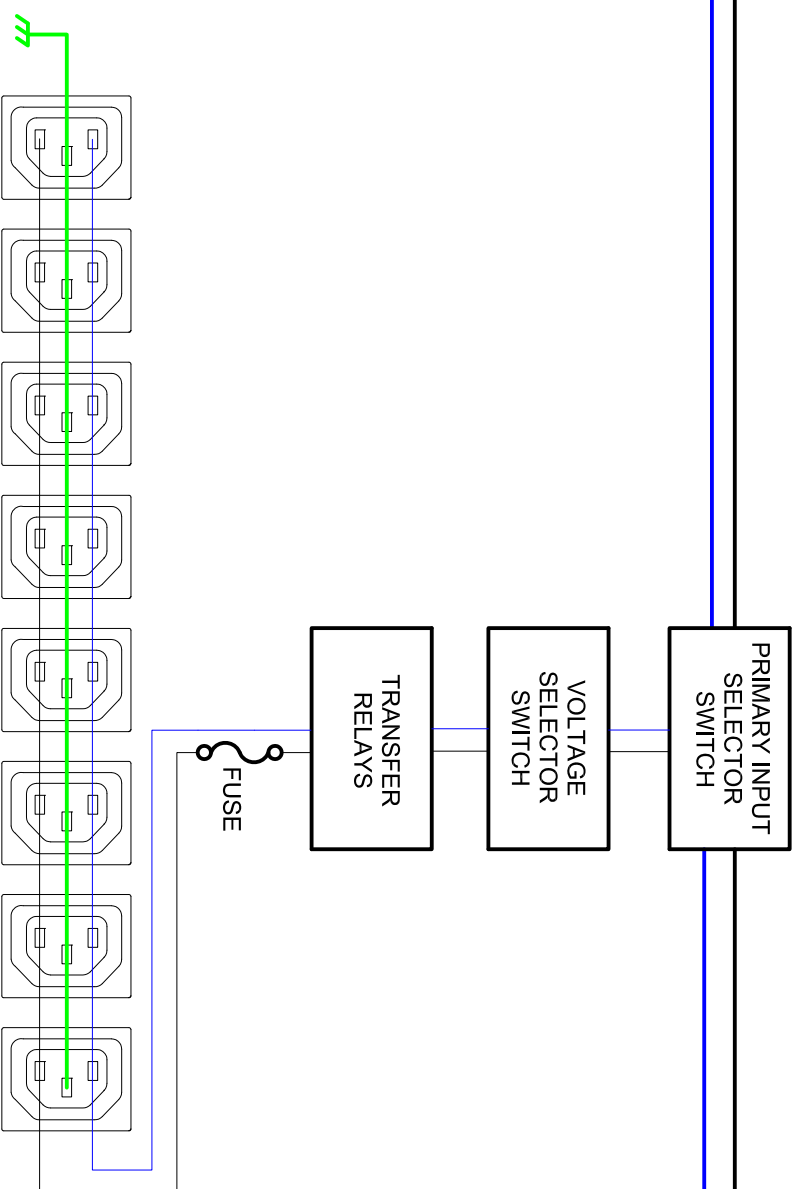
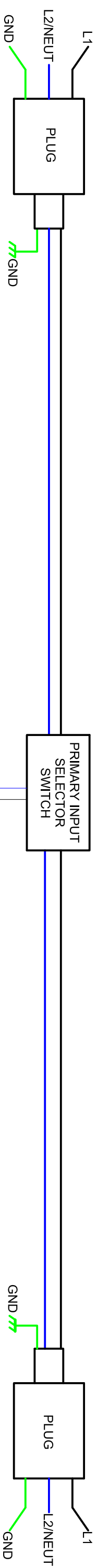
RoHS COMPLIANT

THIS DOCUMENT IS THE SOLE PROPERTY OF SERVER TECHNOLOGY, INC. THE RELEASE OF DATA CONTAINED IN THIS DOCUMENT AND THE REPRODUCTION OF THIS DOCUMENT, IN WHOLE OR IN PART, WITHOUT THE WRITTEN PERMISSION OF SERVER TECHNOLOGY, INC IS PROHIBITED.

THESE COMMODITIES, TECHNOLOGY OR SOFTWARE WERE EXPORTED FROM THE UNITED STATES IN ACCORDANCE WITH THE EXPORT ADMINISTRATION REGULATIONS. DIVERSION CONTRARY TO U.S. LAWS IS PROHIBITED.

REVISION HISTORY				
ZONE	REV	DESCRIPTION	DATE	DFT/APPR
-	1	INITIAL DESIGN	3/2/2015	JWM/ROG

NOTES:



Part Number	Input	Output
Model	Rating, North America	Rating, North America
PTTS-H008-0-02M	100-120V/200-240V, 50/60 Hz, 16 A	100-120V/200-240V, 50/60 Hz, <=12 A each
	Rating, Europe	Rating, Europe
	230V, 50/60Hz, 16A	230V, 50/60Hz, <=10 A each
	Input Type x2	Outlet Type x8
	IEC 60320 C20 Inlet	IEC 60320/C13

TOLERANCES (UNLESS OTHERWISE SPECIFIED)
 LINEAR DIMENSIONS:
 X = ±.000
 XX = ±.000
 XXX = ±.130
 ANGULAR DIMENSIONS:
 XX = ±.5°
 XXX = ±.25°

UNLESS OTHERWISE SPECIFIED
 * INTERPRET DRAWING DIMENSIONS AS PER Y14.100-2000
 * DIMENSIONING & TOLERANCING AS PER Y14.4M-1994
 * REMOVE ALL BURRS AND SHARP EDGES 2 R MAX
 * DIMENSIONS ARE IN MILLIMETERS
 * DIMENSIONAL LIMITS APPLY AFTER PLATING/COATING
 DO NOT SCALE DRAWING
 THIRD ANGLE PROJECTION

SERVER TECHNOLOGY, INC.
 1040 Sandhill Drive Reno, NV 89521

DRAWING TITLE:
 FUNCTIONAL BLOCK WIRING DIAGRAM
 TRANSFER SWITCH

SIZE	CAGE CODE	DWG NO.	REV
B	049V0	495-0407-21	1
SCALE:	1/1	SHEET	1 OF 1

8

7

6

5

4

3

2

1