

SERVER TECHNOLOGY, INC.
 PROPRIETARY INFORMATION

THIS DOCUMENT IS THE SOLE PROPERTY OF SERVER TECHNOLOGY, INC. THE RELEASE OF DATA CONTAINED IN THIS DOCUMENT AND THE REPRODUCTION OF THIS DOCUMENT, IN WHOLE OR IN PART, WITHOUT THE WRITTEN PERMISSION OF SERVER TECHNOLOGY, INC IS PROHIBITED.

THESE COMMODITIES, TECHNOLOGY OR SOFTWARE WERE EXPORTED FROM THE UNITED STATES IN ACCORDANCE WITH THE EXPORT ADMINISTRATION REGULATIONS. DIVERSION CONTRARY TO U.S. LAW IS PROHIBITED.

RoHS COMPLIANT

REVISION HISTORY				
ZONE	REV	DESCRIPTION	DATE	APPROVED
-	1	INITIAL DESIGN	10/4/2012	JSL/VB

- NOTES:
1. DIMENSIONS ARE IN MILLIMETERS AND [] ARE IN INCHES.
 2. MOUNTING BRACKETS CAN BE MOUNTED IN SEVERAL DIFFERENT POSITIONS. SEE FIGURE 1 AND 2.
 3. DIMENSIONS ARE NOMINAL. INFORMATION SUBJECT TO CHANGE WITHOUT NOTICE.

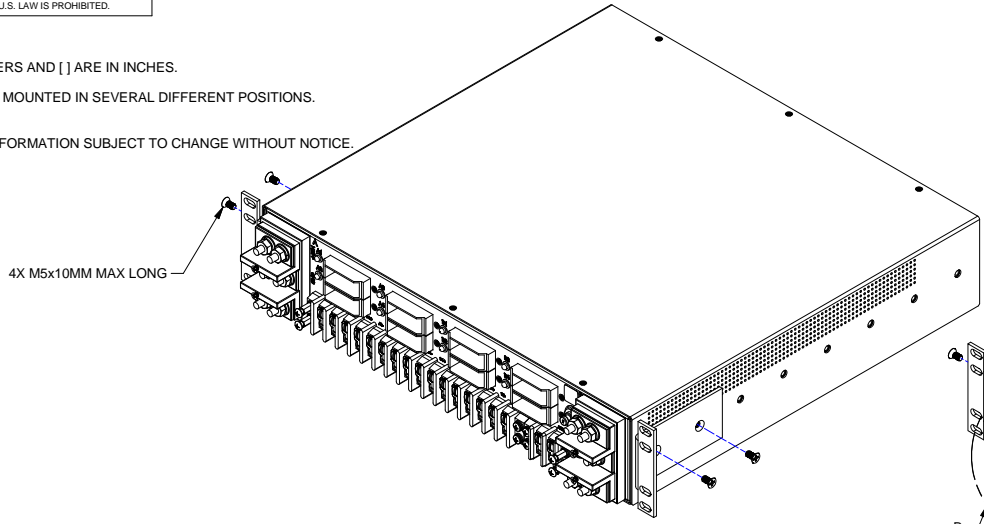


FIGURE 1

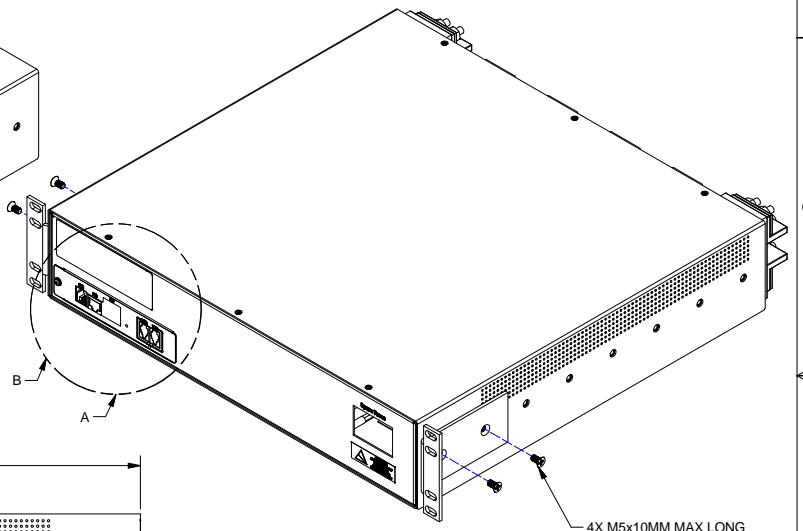
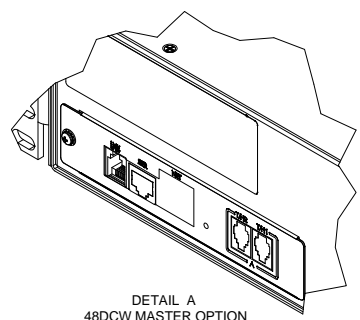
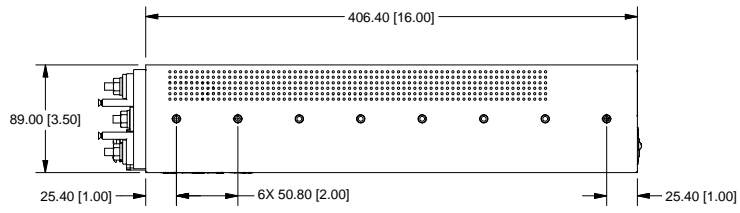
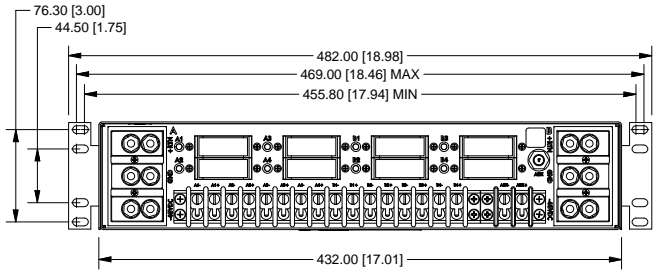
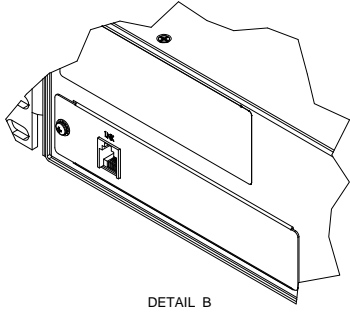


FIGURE 2



DETAIL A
48DCW MASTER OPTION



DETAIL B
48DCX LINK OPTION

<p>TOLERANCES (UNLESS OTHERWISE SPECIFIED):</p> <p>LINEAR DIMENSIONS: .X = ± .500 .XX = ± .300 .XXX = ± .130</p> <p>ANGULAR DIMENSIONS: X = ± 1° XX = ± .5° XXX = ± .25°</p> <p>SYMBOLS (G#) = CRITICAL DIM. (S) = COSMETIC SURFACE</p>	<p>UNLESS OTHERWISE SPECIFIED</p> <p>* INTERPRET DRAWING IAW ASME Y14.100-2000</p> <p>* DIMENSIONING & TOLERANCING IAW ASME Y14.5M-2007</p> <p>* REMOVE ALL BURRS AND SHARP EDGES 2 R MAX</p> <p>* DIMENSIONS ARE IN MILLIMETERS</p> <p>* DIMENSIONAL LIMITS APPLY AFTER PLATING/COATING.</p> <p>DO NOT SCALE DRAWING</p> <p>THIRD ANGLE PROJECTION</p> <p>MATERIAL:</p> <p>FINISH:</p>
---	---

SERVER TECHNOLOGY, INC.

1040 Sandhill Drive Reno, NV 89521

DRAWING TITLE:
**OUTLINE DRAWING
 48DC[W/X]B MODELS WITH MOUNTING
 BRACKET OPTIONS**

SIZE B	CAGE CODE 049V0	DWG NO. 412-4820-14	REV 1
SCALE NONE		SHEET 1 OF 1	