

8 7 6 5 4 3 2 1

SERVER TECHNOLOGY, INC
 PROPRIETARY INFORMATION

THIS DOCUMENT IS THE SOLE PROPERTY OF SERVER TECHNOLOGY, INC. THE RELEASE OF DATA CONTAINED IN THIS DOCUMENT AND THE REPRODUCTION OF THIS DOCUMENT, IN WHOLE OR IN PART, WITHOUT THE WRITTEN PERMISSION OF SERVER TECHNOLOGY, INC IS PROHIBITED.

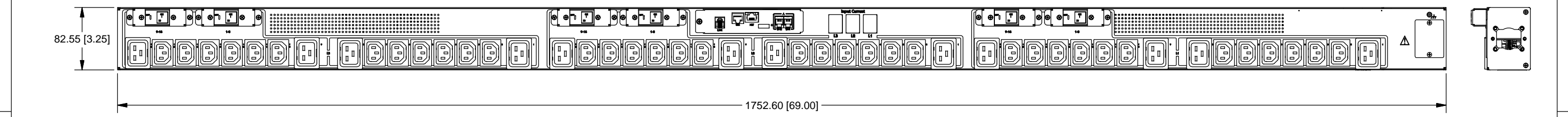
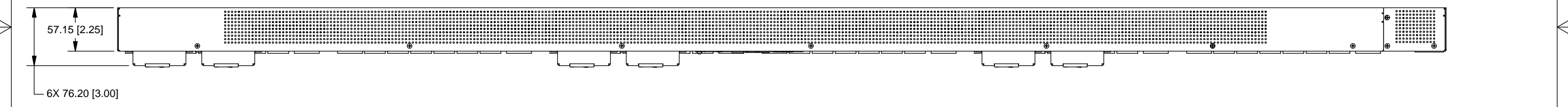
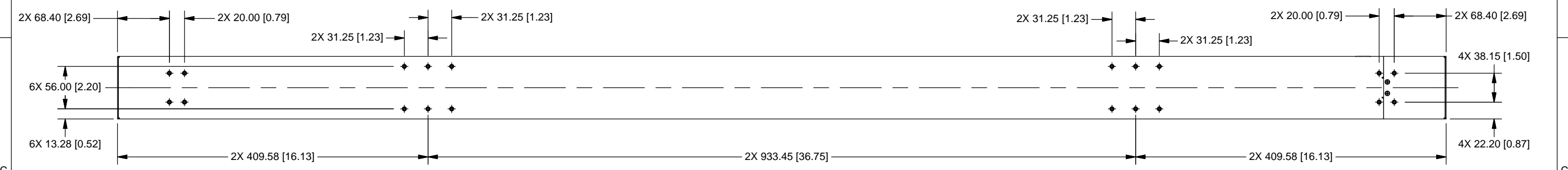
THESE COMMODITIES, TECHNOLOGY OR SOFTWARE WERE EXPORTED FROM THE UNITED STATES IN ACCORDANCE WITH THE EXPORT ADMINISTRATION REGULATIONS. DIVERSION CONTRARY TO U.S. LAW IS PROHIBITED.

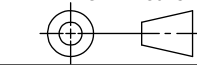
RoHS COMPLIANT


| REVISION HISTORY | | | | |
|------------------|-----|----------------|-----------|----------|
| ZONE | REV | DESCRIPTION | DATE | APPROVED |
| - | 1 | INITIAL DESIGN | 3/31/2014 | JFM/VB |

NOTES:

1. SEE STI QUALITY STANDARD #104-1000-1 FOR GENERAL REQUIREMENTS.



| | |
|--|---|
| TOLERANCES (UNLESS OTHERWISE SPECIFIED) LINEAR DIMENSIONS: .X = ± .500 .XX = ± .300 .XXX = ± .130 ANGULAR DIMENSIONS: X = ± 1° X.X = ± .5° X.XX = ± .25° | UNLESS OTHERWISE SPECIFIED * INTERPRET DRAWING IAW ASME Y14.100-2000 * DIMENSIONING & TOLERANCING IAW ASME Y14.5M-2007 * REMOVE ALL BURRS AND SHARP EDGES .2 R MAX * DIMENSIONS ARE IN MILLIMETERS * DIMENSIONAL LIMITS APPLY AFTER PLATING/COATING. DO NOT SCALE DRAWING THIRD ANGLE PROJECTION  |
| SYMBOLS (Q#) = CRITICAL DIM. (S) = COSMETIC SURFACE | MATERIAL: FINISH: |

SERVER TECHNOLOGY, INC. 

1040 Sandhill Drive Reno, NV 89521

DRAWING TITLE:
OUTLINE DRAWING, SMART, PIPS, POPS, V48

| | | | |
|-------------|--------------|-------------------|--------------|
| SIZE | CAGE CODE | DWG NO. | REV |
| B | 049V0 | 412-0948-4 | 1 |
| SCALE: NONE | | | SHEET 1 OF 1 |

8 7 6 5 4 3 2 1