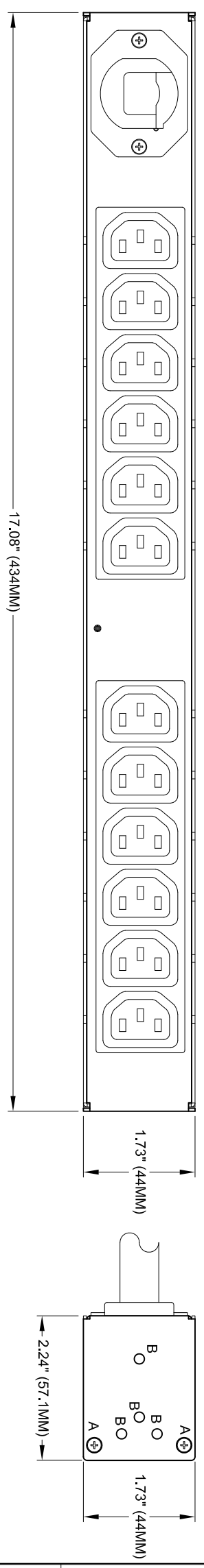
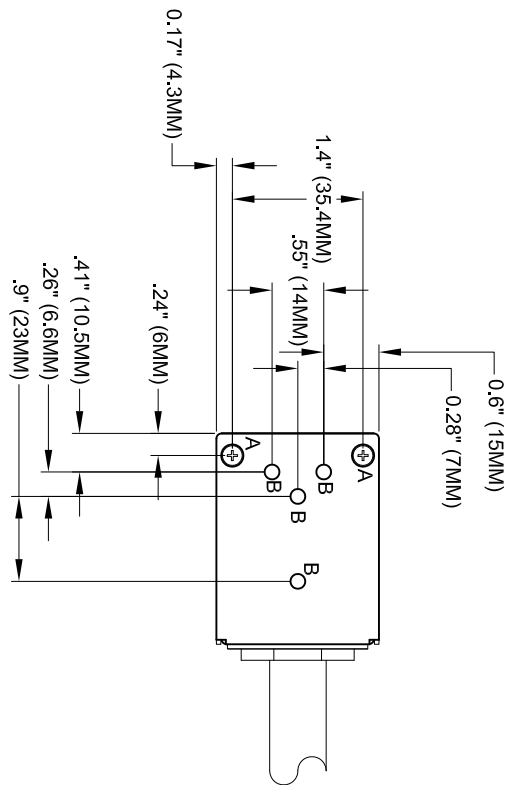
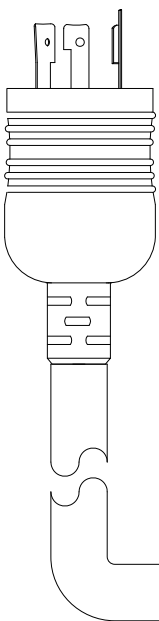
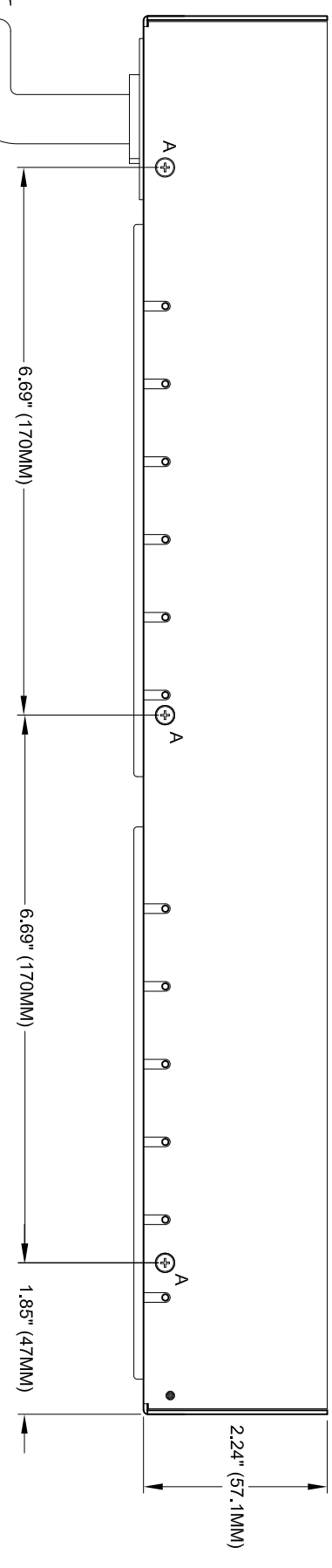
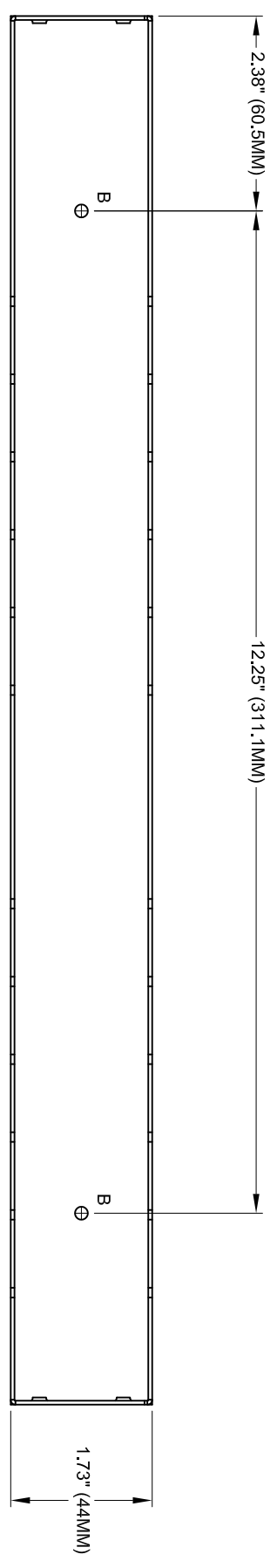


THIS DOCUMENT IS THE SOLE PROPERTY OF SERVER TECHNOLOGY, INC.
THE RELEASE OF DATA CONTAINED IN THIS DOCUMENT AND THE REPRODUCTION
OF THIS DOCUMENT, IN WHOLE OR IN PART, WITHOUT THE WRITTEN PERMISSION
OF SERVER TECHNOLOGY, INC ARE PROHIBITED.

NOTES:

REVISIONS		
REV	DESCRIPTION	DATE
A	RELEASED TO PRODUCTION	01/23/06
		EW/



HARDWARE INSTALLATION CHART		
ID	HARDWARE	QTY
A	M3 SCREWS	7
B	M4 SCREWS	10

UNLESS OTHERWISE SPECIFIED:
 * INTERPRET DRAWING IN ACCORDANCE WITH ASME Y14.100-2000
 * DIMENSIONING & TOLERANCING IN ACCORDANCE WITH ASME Y14.5M-1994
 * REMOVE ALL BURRS AND SHARP EDGES .2 R MAX
 * DIMENSIONS ARE IN MILLIMETERS
 * TOLERANCES ARE: DECIMALS ±.3 ANGLES ±1.0°
 * DO NOT SCALE DRAWING



SERVER TECHNOLOGY, INC.
 1040 Sandhill Drive Reno, NV 89521



DRAWING TITLE:
OUTLINE DRAWING
 CB-12H2-L630

APPROVALS	DATE
DRAWN BY: E.W.	01/23/06
CHECKED BY:	
APPROVED BY:	
RELEASED BY:	

SIZE	CAGE CODE	DWG NO.	REV
D	04V90	412-0370-5	A
SCALE: 1/1	FILE NO: 412-0370-5.dwg	SHEET	1 OF 1