

SERVER TECHNOLOGY, INC
 PROPRIETARY INFORMATION

THIS DOCUMENT IS THE SOLE PROPERTY OF SERVER TECHNOLOGY, INC. THE RELEASE OF DATA CONTAINED IN THIS DOCUMENT AND THE REPRODUCTION OF THIS DOCUMENT, IN WHOLE OR IN PART, WITHOUT THE WRITTEN PERMISSION OF SERVER TECHNOLOGY, INC IS PROHIBITED.

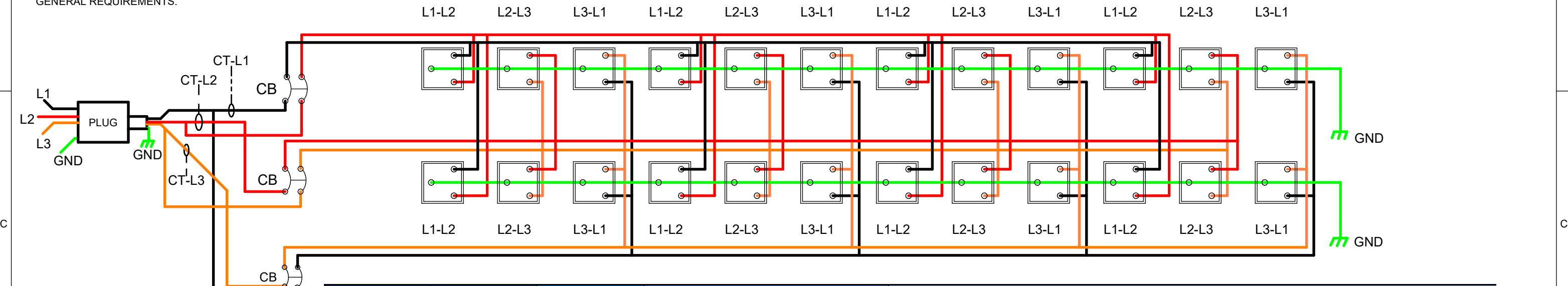
THESE COMMODITIES, TECHNOLOGY OR SOFTWARE WERE EXPORTED FROM THE UNITED STATES IN ACCORDANCE WITH THE EXPORT ADMINISTRATION REGULATIONS. DIVERSION CONTRARY TO U.S. LAW IS PROHIBITED.

RoHS COMPLIANT

REVISION HISTORY				
ZONE	REV	DESCRIPTION	DATE	APPROVED
-	1	INITIAL DESIGN	8/9/2017	NAD/ROG

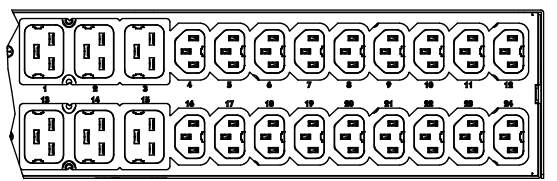
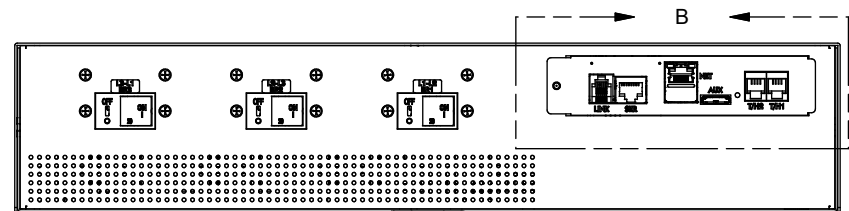
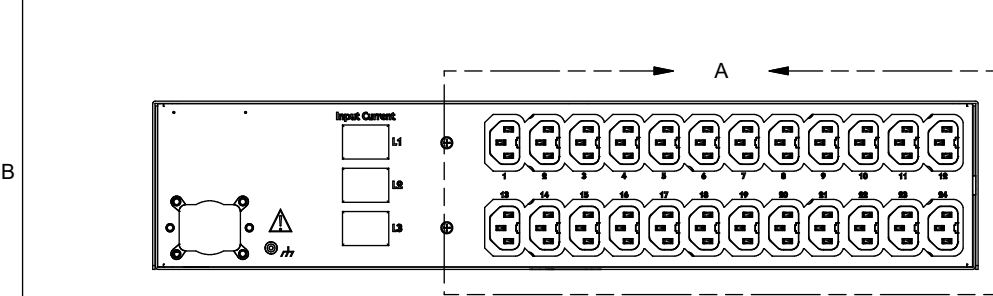
NOTES:

1. SEE STI QUALITY STANDARD #104-1000-1 FOR GENERAL REQUIREMENTS.

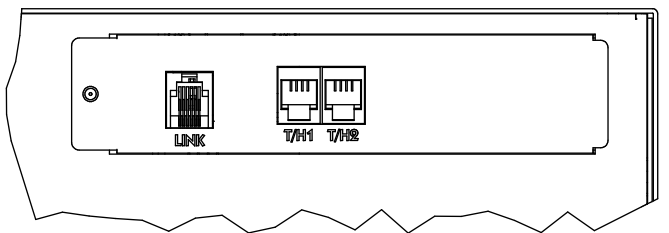


Part Number	Expansion	Certification	Input	Output	Branch Circuit Rating		
Master	Expansion	Rating Standard	Rating	Input Type	Total Output Rating	Outlet Type and Ratings	Branch Circuit Rating
C2S24HP-DBLN5Dx	C2L24HP-DBLN5Dx	cTUVus and/or cULus	208V 3P+PE, 50/60Hz; 16A	NEMA L15-20P	208V, 50/60Hz; <= 27.7A	IEC 60320: C19 <= 16A each, C13 <= 12A each	3 branches, each <= 16A
C2S24HP-DCLN5Dx	C2L24HP-DCLN5Dx	cTUVus and/or cULus	208V 3P+PE, 50/60Hz; 24A	NEMA L15-30P	208V, 50/60Hz; <= 41.5A	IEC 60320: C19 <= 16A each, C13 <= 12A each	3 branches, each <= 16A
C2S24HP-YBLN5Dx	C2L24HP-YBLN5Dx	cTUVus and/or cULus	120/208V 3P+N+PE, 50/60Hz; 16A	NEMA L21-20P	208V, 50/60Hz; <= 27.7A	IEC 60320: C19 <= 16A each, C13 <= 12A each	3 branches, each <= 16A
C2S24HP-YCLN5Dx	C2L24HP-YCLN5Dx	cTUVus and/or cULus	120/208V 3P+N+PE, 50/60Hz; 24A	NEMA L21-30P	208V, 50/60Hz; <= 41.5A	IEC 60320: C19 <= 16A each, C13 <= 12A each	3 branches, each <= 16A

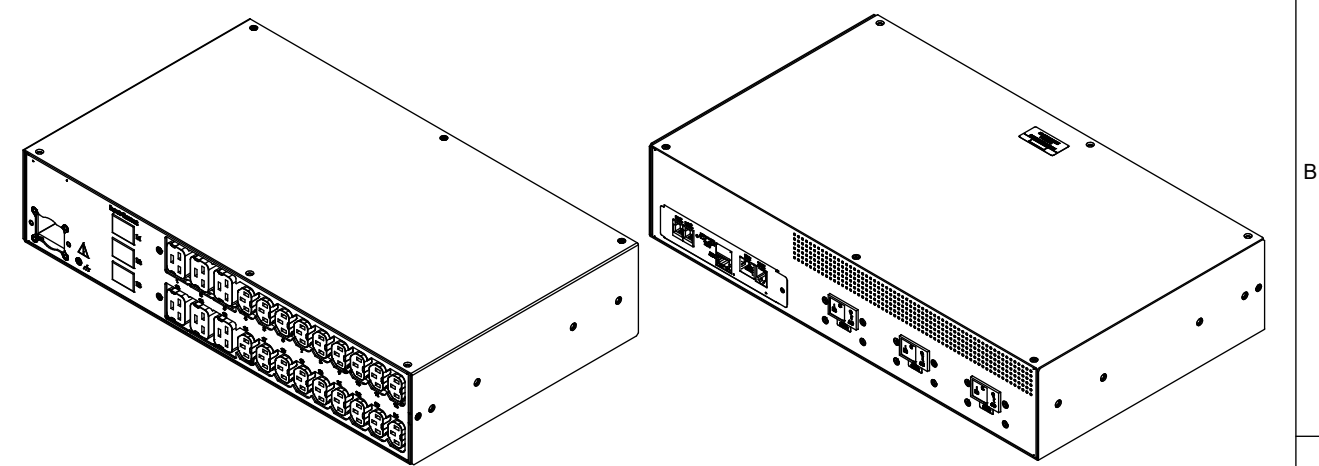
Note: "x" designates total number of C19 outlets: 0,3,or 6, split evenly between branches



DETAIL A
 OPTIONAL OUTLET CONFIGURATION



DETAIL B
 'C2L EXPANSION'



ISO VIEW

<p>TOLERANCES (UNLESS OTHERWISE SPECIFIED) LINEAR DIMENSIONS: .X = ± .02 .XX = ± .01 .XXX = ± .005</p> <p>ANGULAR DIMENSIONS: X = ± 1° XX = ± 5° XXX = ± 25°</p>		<p>UNLESS OTHERWISE SPECIFIED * INTERPRET DRAWING IAW ASME Y14.100-2000 * DIMENSIONING & TOLERANCING IAW ASME Y14.5M-2009 * REMOVE ALL BURRS AND SHARP EDGES .010 R MAX * DIMENSIONS ARE IN INCHES * DIMENSIONAL LIMITS APPLY AFTER FINISH</p> <p>DO NOT SCALE DRAWING THIRD ANGLE PROJECTION</p>		<p>SERVER TECHNOLOGY, INC. 1040 Sandhill Road, Reno, NV 89521</p>	
<p>SYMBOLS (Q#) = CRITICAL DIM. (#) = COSMETIC SURFACE</p>		<p>MATERIAL: FINISH:</p>		<p>DRAWING TITLE: FUNCTIONAL BLOCK WIRING DIAGRAM, SMART,PIPS</p>	
SIZE	CAGE CODE	DWG NO.	REV		
B	049V0	495-0986-2	1		
SCALE: NONE		SHEET 1 OF 1			