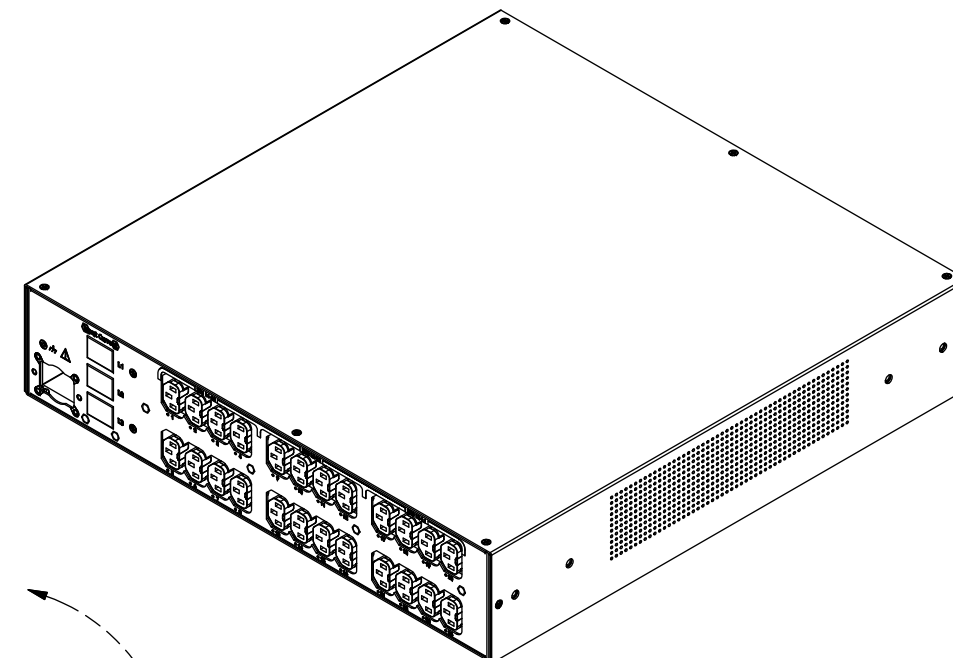
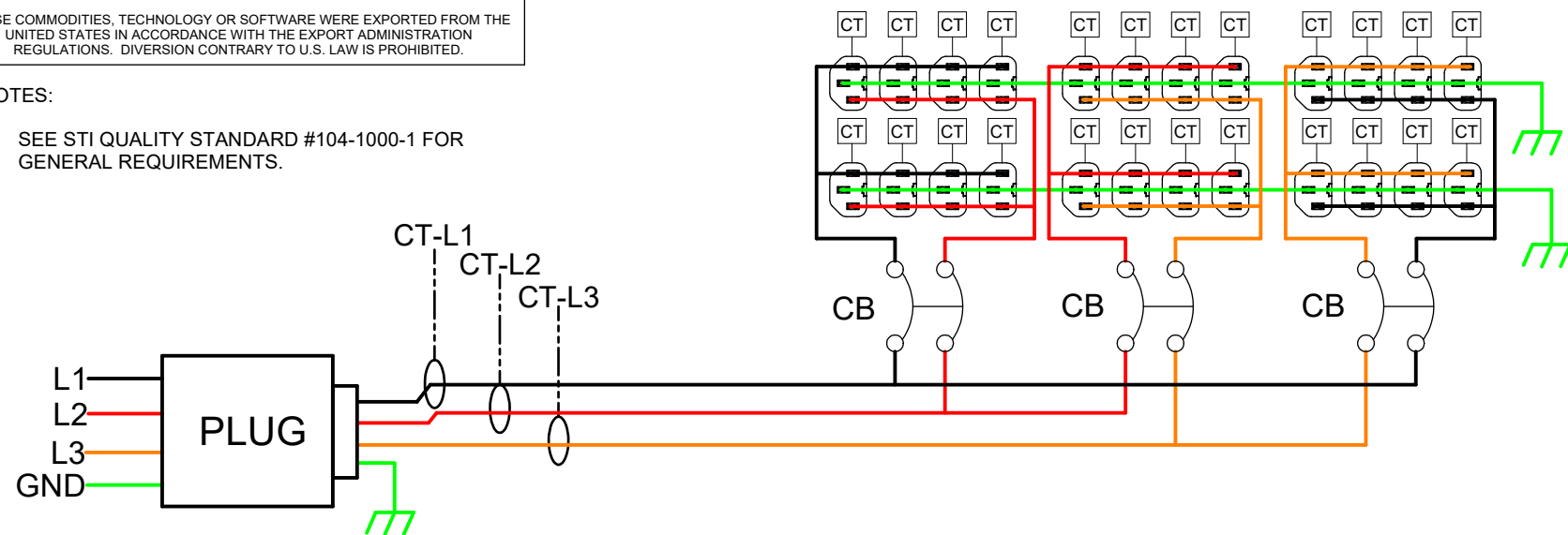


RoHS COMPLIANT

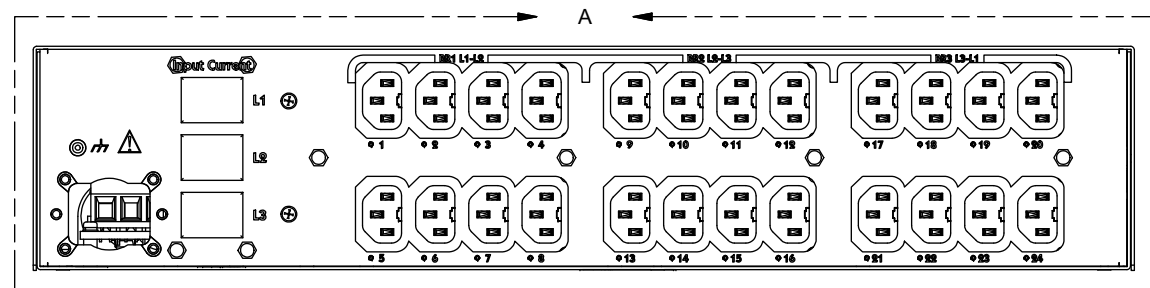
SERVER TECHNOLOGY, INC
 PROPRIETARY INFORMATION
 THIS DOCUMENT IS THE SOLE PROPERTY OF SERVER TECHNOLOGY, INC. THE RELEASE OF DATA CONTAINED IN THIS DOCUMENT AND THE REPRODUCTION OF THIS DOCUMENT, IN WHOLE OR IN PART, WITHOUT THE WRITTEN PERMISSION OF SERVER TECHNOLOGY, INC IS PROHIBITED.
 THESE COMMODITIES, TECHNOLOGY OR SOFTWARE WERE EXPORTED FROM THE UNITED STATES IN ACCORDANCE WITH THE EXPORT ADMINISTRATION REGULATIONS. DIVERSION CONTRARY TO U.S. LAW IS PROHIBITED.

REVISION HISTORY				
ZONE	REV	DESCRIPTION	DATE	APPROVED
-	1	INITIAL DESIGN	11/15/2017	JWM/ROG

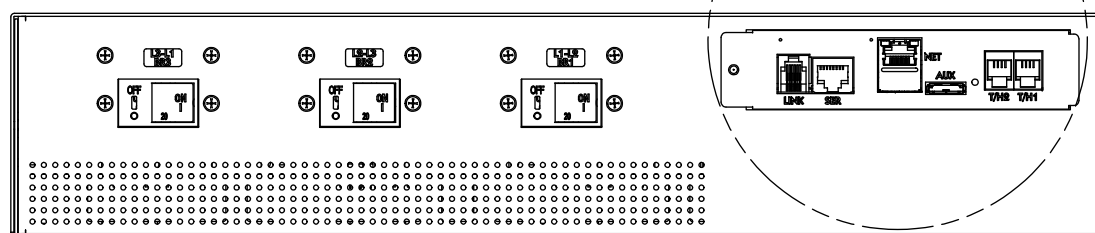
- NOTES:
- SEE STI QUALITY STANDARD #104-1000-1 FOR GENERAL REQUIREMENTS.



ISO VIEW



DETAIL A
 (6)C19 (18)C13 MODULE



DETAIL B
 'C2XG' EXPANSION VIEW

Part Number	Expansion	Certification	Input	Output
Master				
C2WG24BN-DBLN5Dx	C2XG24BN-DBLN5Dx	cTUVus and/or cULus	208V 3P+PE, 50/60Hz; 16A	NEMA L15-20P 208V, 50/60Hz; <= 27.7A
C2WG24BN-DCLN5Dx	C2XG24BN-DCLN5Dx	cTUVus and/or cULus	208V 3P+PE, 50/60Hz; 24A	NEMA L15-30P 208V, 50/60Hz; <= 41.5A
C2WG24BN-YBLN5Dx	C2XG24BN-YBLN5Dx	cTUVus and/or cULus	120/208V 3P+N+PE, 50/60Hz; 16A	NEMA L21-20P 208V, 50/60Hz; <= 27.7A
C2WG24BN-YCLN5Dx	C2XG24BN-YCLN5Dx	cTUVus and/or cULus	120/208V 3P+N+PE, 50/60Hz; 24A	NEMA L21-30P 208V, 50/60Hz; <= 41.5A

Note: "x" designates code for number of C19 outlets of the outlet module

TOLERANCES
 (UNLESS OTHERWISE SPECIFIED)
 LINEAR DIMENSIONS:
 .X = ± .5
 .XX = ± .30
 .XXX = ± .130

ANGULAR DIMENSIONS:
 X = ± 1°
 X.X = ± .5°
 X.XX = ± .25°

SYMBOLS
 (Q#) = CRITICAL DIM.
 (#) = COSMETIC SURFACE

UNLESS OTHERWISE SPECIFIED
 * INTERPRET DRAWING IAW ASME Y14.100-2000
 * DIMENSIONING & TOLERANCING IAW ASME Y14.5M-2009
 * REMOVE ALL BURRS AND SHARP EDGES .2 R MAX
 * DIMENSIONS ARE IN MILLIMETERS
 * DIMENSIONAL LIMITS APPLY AFTER FINISH

DO NOT SCALE DRAWING
 THIRD ANGLE PROJECTION

MATERIAL:

FINISH:

SERVER TECHNOLOGY, INC.
 1040 Sandhill Road, Reno, NV 89521

DRAWING TITLE:
**FUNCTIONAL BLOCK WIRING DIAGRAM,
 SWITCHED, PIPS POPS**

SIZE	CAGE CODE	DWG NO.	REV
B	049V0	495-1284-2	1
SCALE: NONE	SHEET 1 OF 1		