

1

2

3

4

5

6

7

8

SERVER TECHNOLOGY, INC
PROPRIETARY INFORMATION

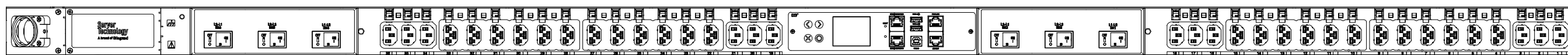
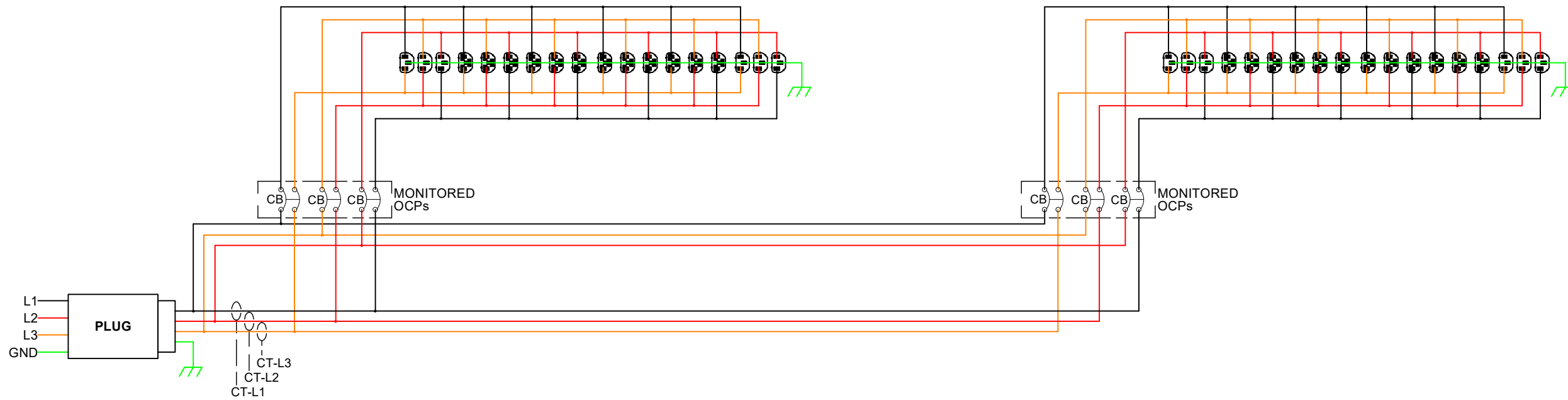
RoHS COMPLIANT

THIS DOCUMENT IS THE SOLE PROPERTY OF SERVER TECHNOLOGY, INC. THE RELEASE OF DATA CONTAINED IN THIS DOCUMENT AND THE REPRODUCTION OF THIS DOCUMENT, IN WHOLE OR IN PART, WITHOUT THE WRITTEN PERMISSION OF SERVER TECHNOLOGY, INC IS PROHIBITED.

THESE COMMODITIES, TECHNOLOGY OR SOFTWARE WERE EXPORTED FROM THE UNITED STATES IN ACCORDANCE WITH THE EXPORT ADMINISTRATION REGULATIONS. DIVERSION CONTRARY TO U.S. LAW IS PROHIBITED.

REVISION HISTORY

ZONE	REV	DESCRIPTION	DATE	APPROVED
-	A	INITIAL DESIGN	10/3/2022	DB/VB



<p>TOLERANCES (UNLESS OTHERWISE SPECIFIED)</p> <p>LINEAR DIMENSIONS: X = ± .5 XX = ± .30 .XXX = ± .130</p> <p>ANGULAR DIMENSIONS: X = ± 1° X.X = ± .5° X.XX = ± .25°</p>	<p>UNLESS OTHERWISE SPECIFIED</p> <ul style="list-style-type: none"> * INTERPRET DRAWING IAW ASME Y14.100-2017 * DIMENSIONING & TOLERANCING IAW ASME Y14.5M-2018 * DIMENSIONS ARE IN MILLIMETERS * DIMENSIONAL LIMITS APPLY AFTER FINISH
	<p>THIRD ANGLE PROJECTION</p>
<p>SYMBOLS</p> <ul style="list-style-type: none"> Q# = CRITICAL DIM. # = COSMETIC SURFACE # = FINISH / PROCESS # = FIND NUMBERS 	<p>MATERIAL:</p> <hr/> <p>FINISH:</p> <hr/>

Server Technology
A Brand of **legrand**

DRAWING TITLE:
**FUNCTIONAL BLOCK WIRING DIAGRAM,
(24)CX (12)C13, 3PH DELTA, 6BR**

SIZE	CAGE CODE	DWG NO.	REV
B	049V0	810-04-1596-DELTA	A
SCALE: NONE			SHEET 1 OF 1

1

2

3

4

5

6

7

8